



# TURNTABLE-FP14KCX

## HD Alignment Turntable Set (2ea)

4,500 lb. Capacity Each  
(14" x 14" x 1.5")



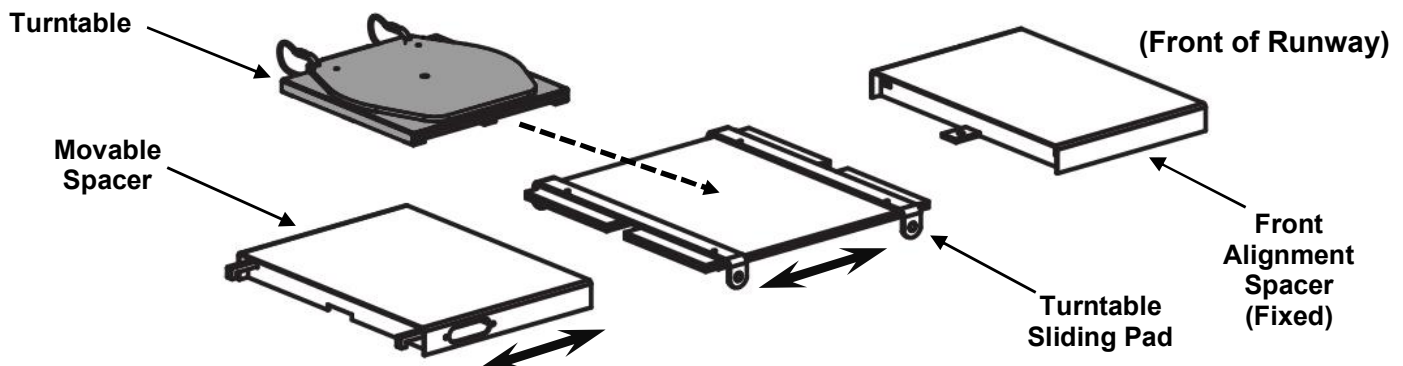
### FEATURES

- High Quality Construction
- HD Carbon Radius Steel Top Plate
- Base Handle for Easy Positioning
- 9,000 lb. Total Set Capacity (4,500 lb. ea.)

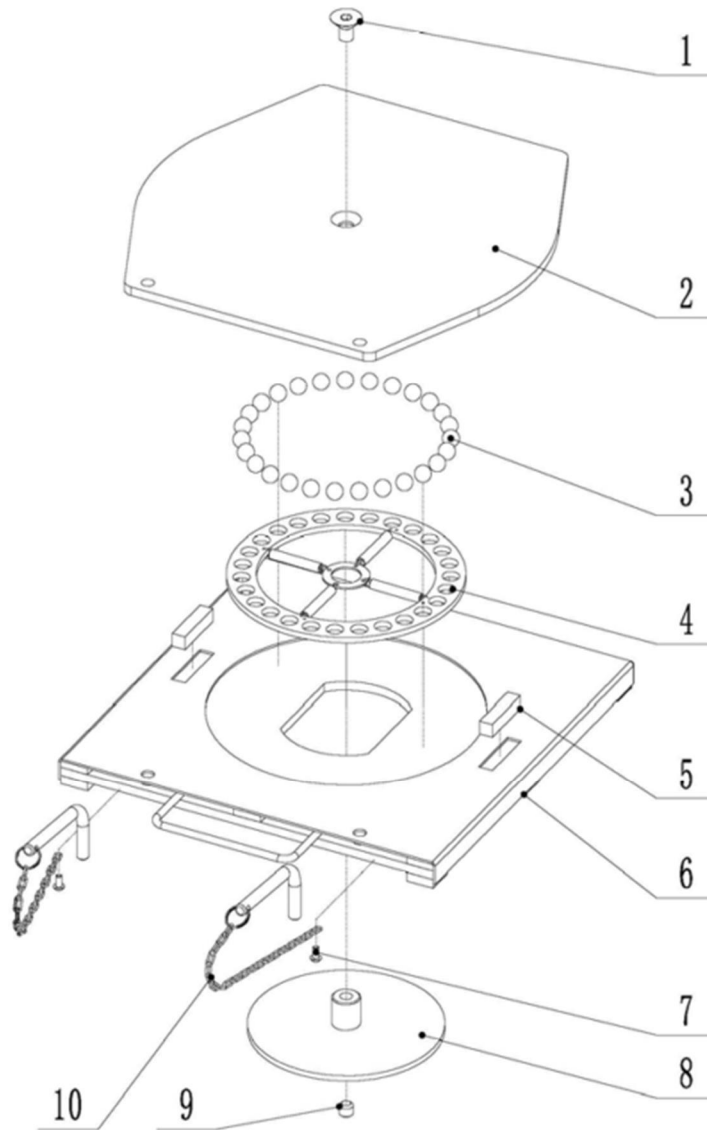
### Installation / Position Instructions:

- 1) Position Turntables on the Sliding Pad at the front of the Alignment Runways with Handles facing outwards. Use sliding Pad to easily position Turntables to the 'front or back' position, while using the Movable Spacer to fill the runway gap.

**NOTE:** Ensure L-Pins are inserted in Top Plates to hold in place when positioning vehicle wheels.



## Exploded View & Parts List (TURNTABLE-FP4KCX)



ITEM	Tux P/N	M-REF P/N	DESCRIPTION	QTY
1.	TURNTABLE-FP4KCX	305812M-M12X20	Socket Screw, M12 x 20mm	1
2.	TURNTABLE-FP4KCX	305812M-M07A01-2	Top Plate	1
3.	TURNTABLE-FP4KCX	305812M-M07A01-10	POM Nylon Ball	27
4.	TURNTABLE-FP4KCX	305812M-M07A01-03	Ball Retainer Frame	1
5.	TURNTABLE-FP4KCX	305812M-M07A01-11	Nylon Block	2
6.	TURNTABLE-FP4KCX	305812M-M07A01-01	Base Plate	1
7.	TURNTABLE-FP4KCX	305812M-M5X10	Socket Screw, M5 x 10mm	2
8.	TURNTABLE-FP4KCX	305812M-M07A01-02	Guide Plate	1
9.	TURNTABLE-FP4KCX	305812M-M12X10	Socket Cap Screw, M12 x 10mm	1
10.	TURNTABLE-FP4KCX	305812M-TP1B99-8	L-Pin w/ Chain	2

# LIMITED WARRANTY

## Structural Warranty:

The following parts and structural components carry a five-year warranty:

Columns	Arms	Uprights	Swivel Pins
Legs	Carriages	Overhead Beam	
Tracks	Cross Rails	Top Rail Beam	

## Limited One-Year Warranty:

Tuxedo Distributors, LLC (iDEAL) offers a limited one-year warranty to the original purchaser of Lifts and Wheel Service equipment in the United States and Canada. Tuxedo will replace, without charge, any part found defective in materials or workmanship under normal use, for a period of one year after purchase. The purchaser is responsible for all shipping charges. This warranty does not apply to equipment that has been improperly installed or altered or that has not been operated or maintained according to specifications.

## Other Limitations:

This warranty does not cover:

1. Parts needed for normal maintenance
2. Wear parts, including but not limited to cables, slider blocks, chains, rubber pads and pulleys
3. Replacement of lift and tire changer cylinders after the first 30 days. A seal kit and installation instructions will be sent for repairs thereafter.
4. On-site labor

Upon receipt, the customer must visually inspect the equipment for any potential freight damage before signing clear on the shipping receipt. Freight damage is not considered a warranty issue and therefore must be noted for any potential recovery with the shipping company.

The customer is required to notify Tuxedo of any missing parts within 72 hours. Timely notification must be received to be covered under warranty.

Tuxedo will replace any defective part under warranty at no charge as soon as such parts become available from the manufacturer. No guarantee is given as to the immediate availability of replacement parts.

Tuxedo reserves the right to make improvements and/or design changes to its lifts without any obligation to previously sold, assembled, or fabricated equipment.

There is no other express warranty on the Tuxedo lifts and this warranty is exclusive of and in lieu of all other warranties, expressed or implied, including all warranties of merchantability and fitness for a particular purpose.

To the fullest extent allowed by law, Tuxedo shall not be liable for loss of use, cost of cover, lost profits, inconvenience, lost time, commercial loss or other incidental or consequential damages.

This Limited Warranty is granted to the original purchaser only and is not transferable or assignable.

Some states do not allow exclusion or limitation of consequential damages or how long an implied warranty lasts, so the above limitations and exclusions may not apply. This warranty gives you specific legal rights and you may have other rights, which may vary from state to state.

8320 E Hwy 67, Alvarado, TX 76009  
Ph. 817-558-9337 / Fax 817-558-9740