



Paint Spray Booths

PSB-SSDD Side & Semi Downdraft 48" Extension Kit

Detailed Floor Plan Drawings, Assembly Diagrams & BOM List

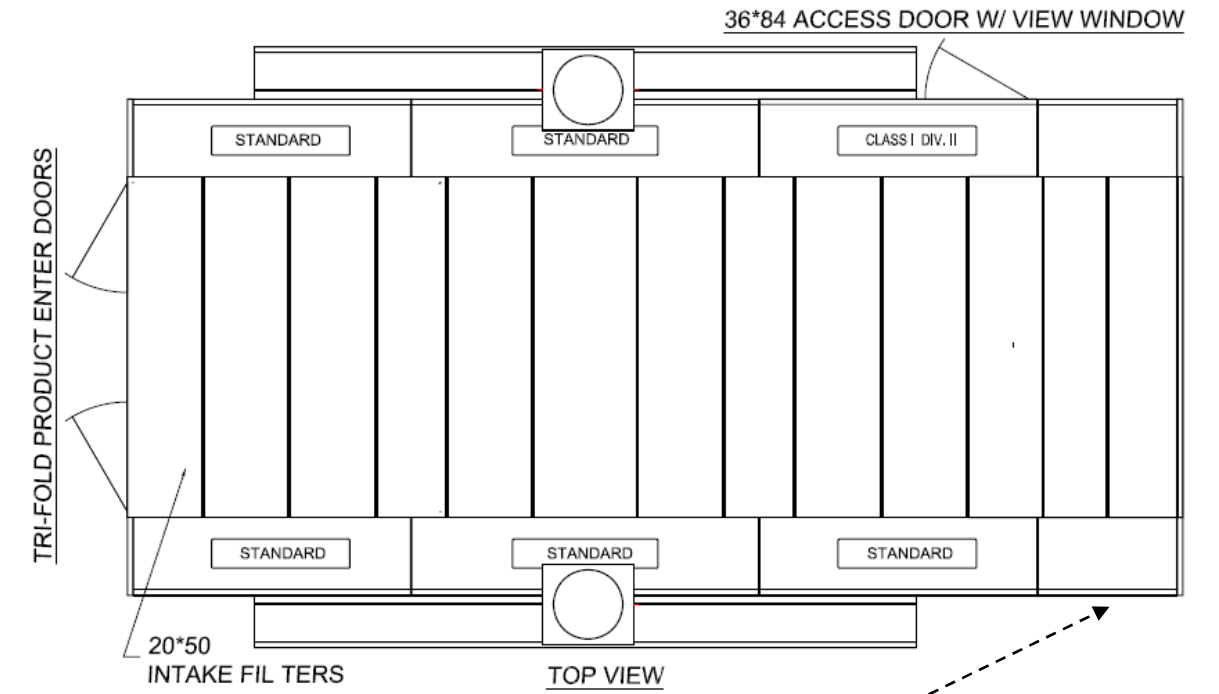
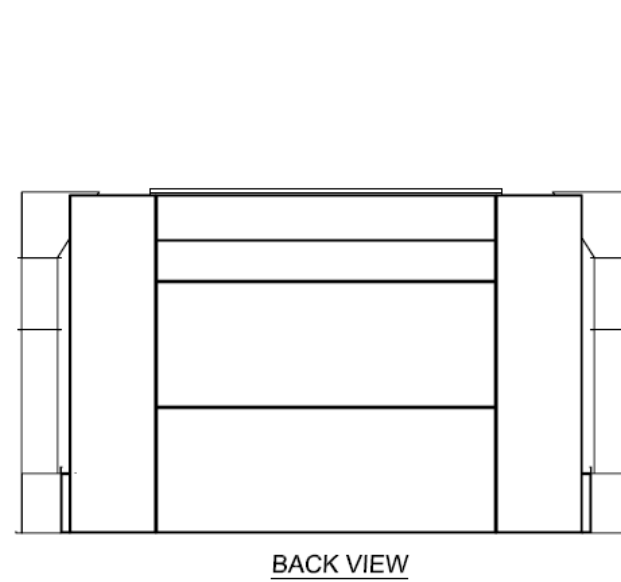
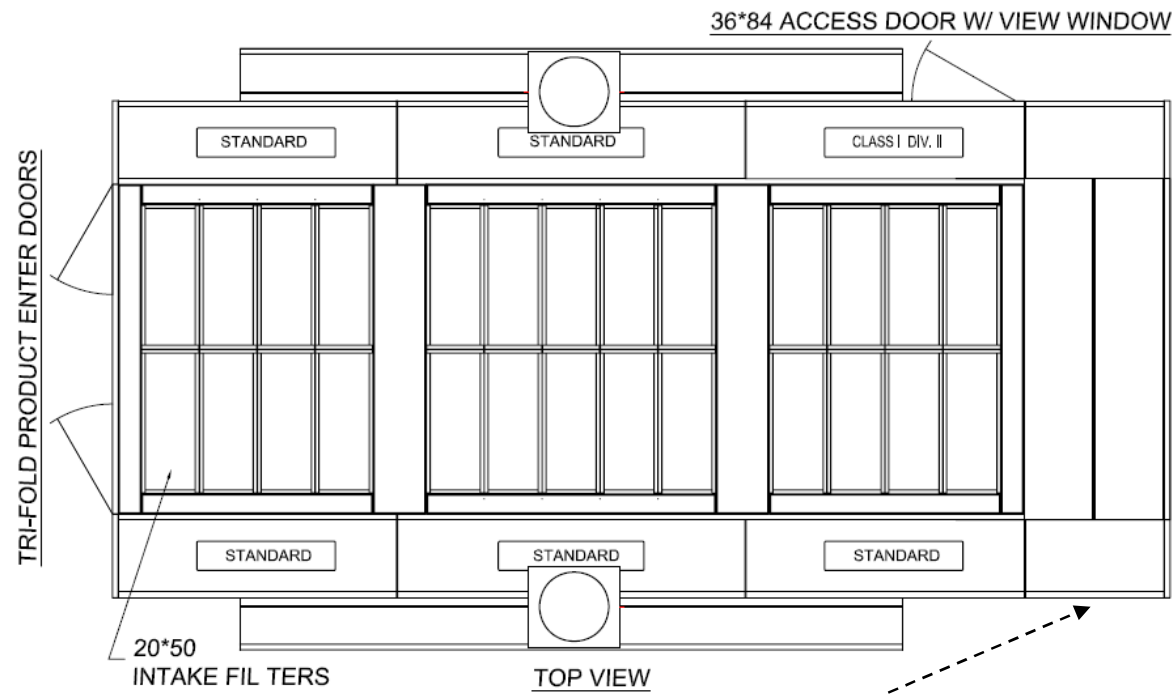
Ref. Kit Model:

- **(PSB-SSDD-48EPK-AK) PSBSSDD 48" SDD & SEMI Extension Panel Assembly Kit**

NOTE: The SSDD-48 Extension Kit Information is supplemental to the original PSB-SDD26 & SEMIDD26 Manuals, Assembly Diagrams & BOM Lists.

SIDE DOWNDRAFT with 48" EXTENSION KIT FLOOR PLAN & ELEVATION DIMENSIONS

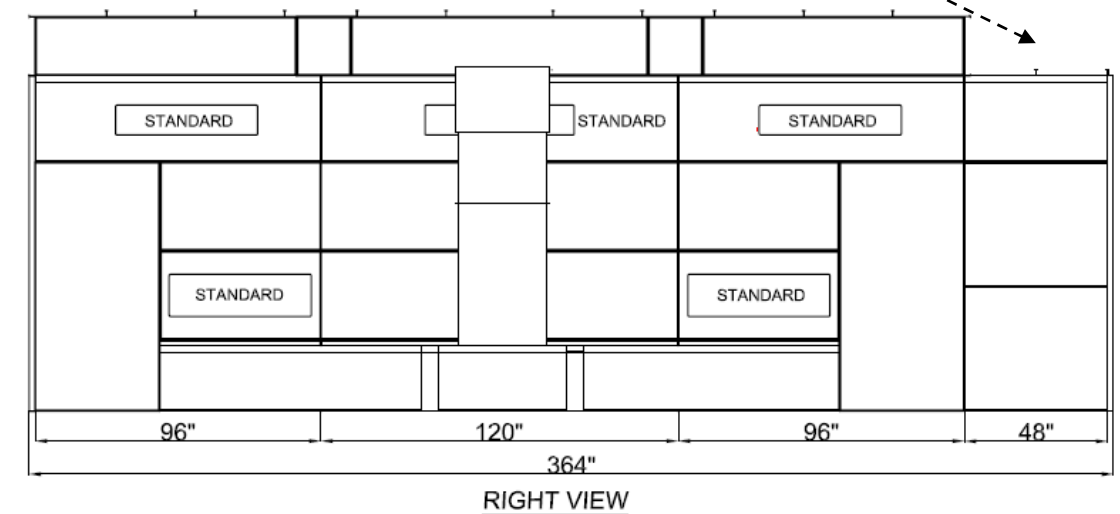
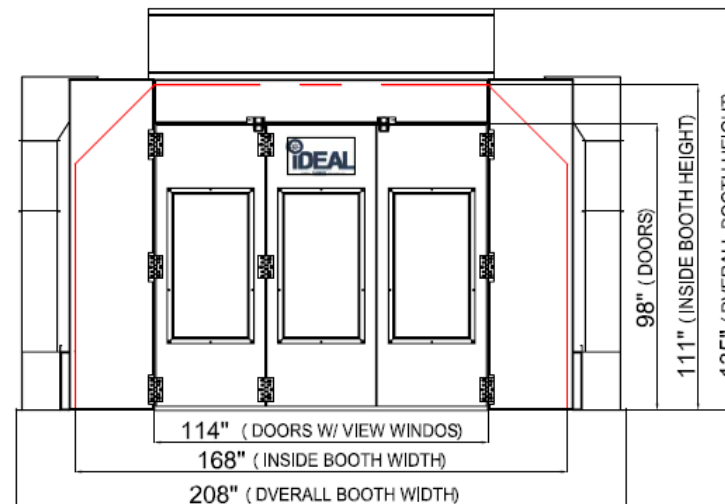
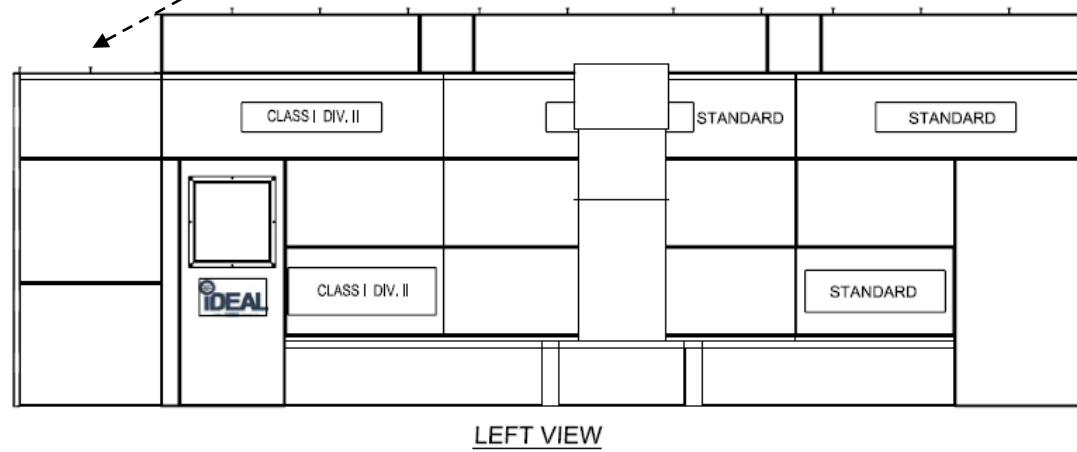
PSB-SDD26B-AK with (PSB-SSDD-48EPK-AK) PSBSSDD 48" SDD & SEMI Extension Panel Assembly Kit



**NOTE:
SOME DIAGRAMS
SHOWN WITH OPTIONAL
CANOPY PLENUM KIT**

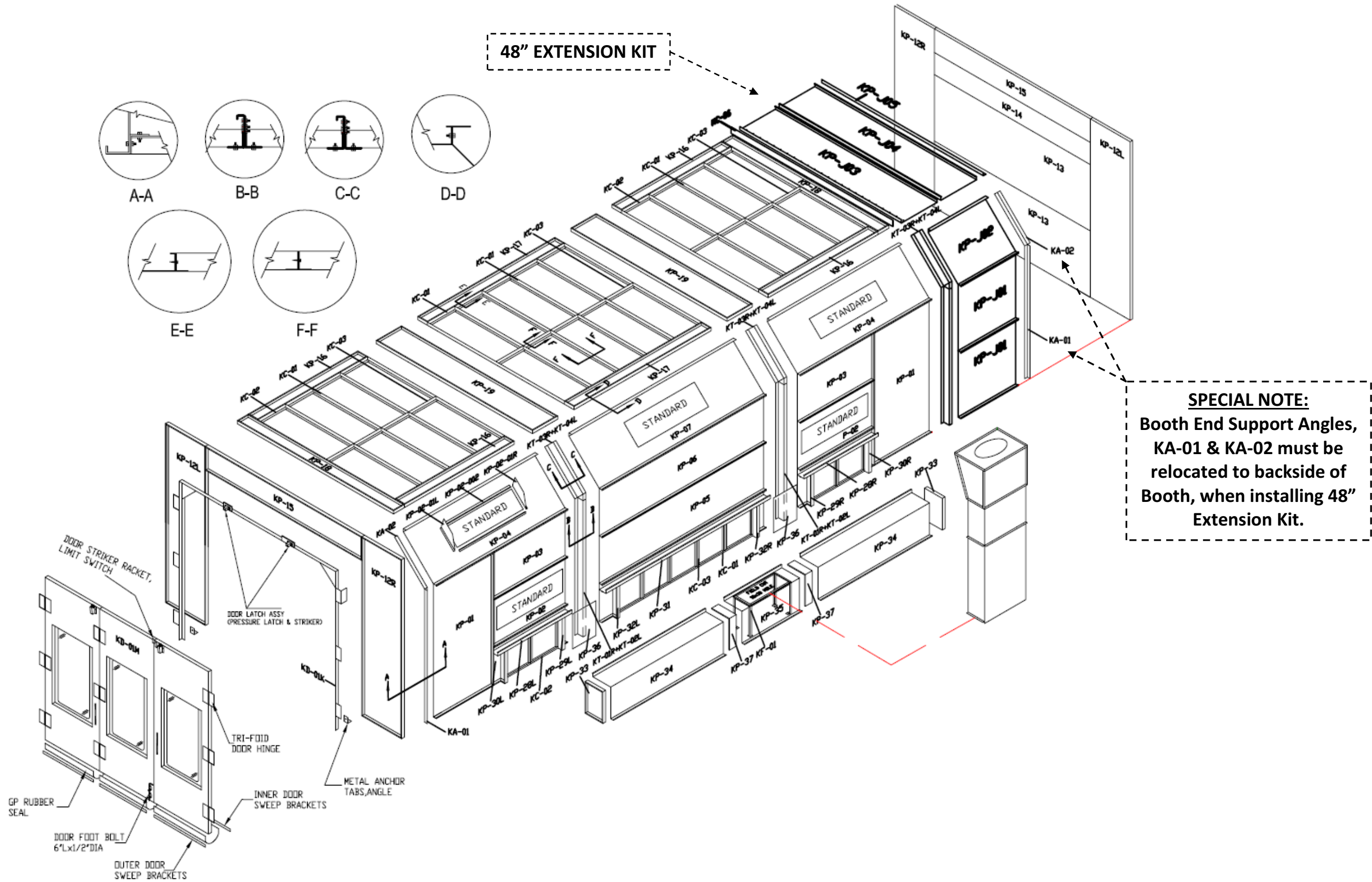
48" EXTENSION KIT

48" EXTENSION KIT



FRONT VIEW

SIDE DOWNDRAFT with 48" EXTENSION KIT ASSEMBLY DIAGRAM (Right Side)



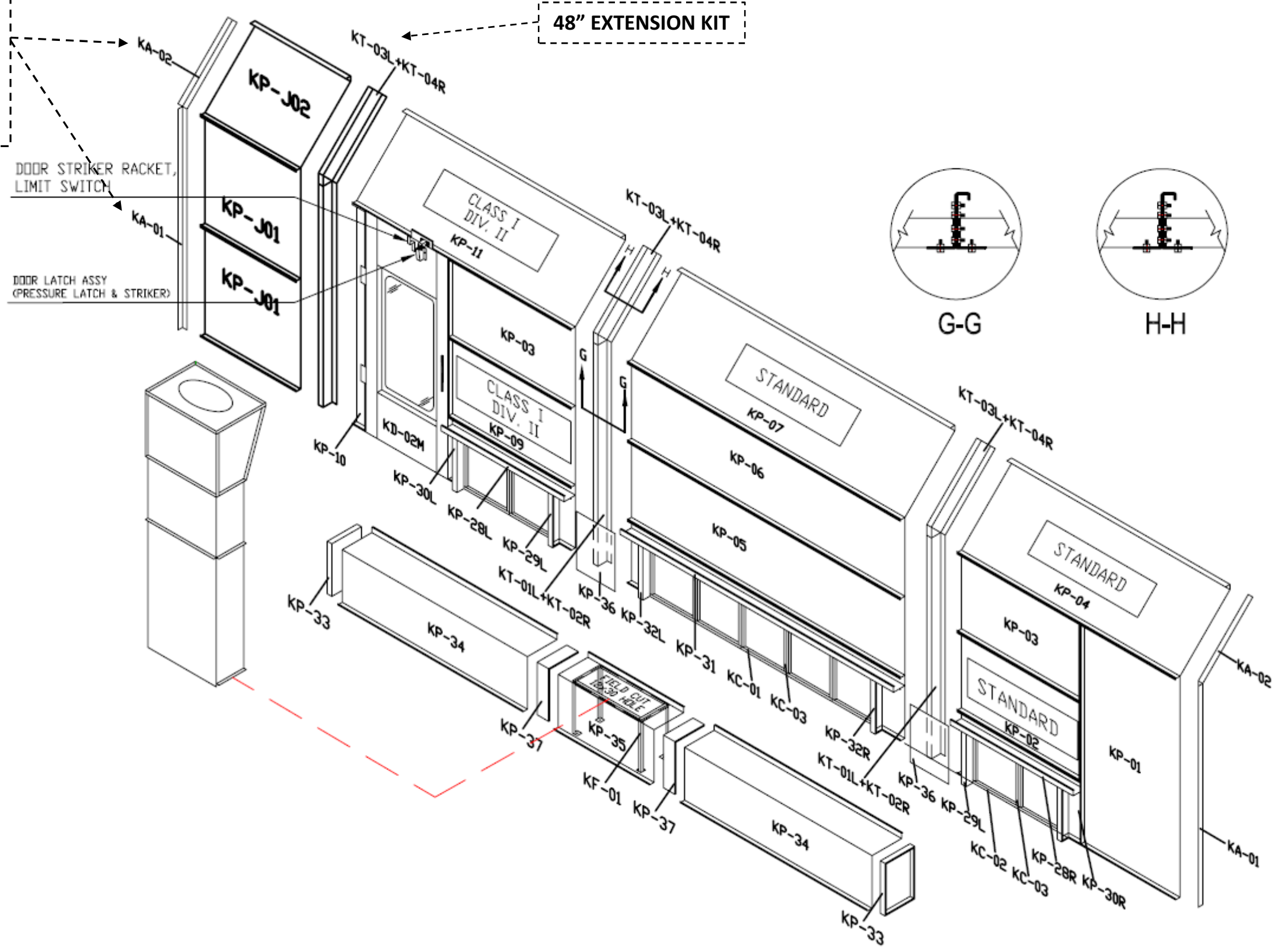
SPECIAL NOTE:
Booth End Support Angles, KA-01 & KA-02 must be relocated to backside of Booth, when installing 48" Extension Kit.

DOOR STRIKER RACKET, LIMIT SWITCH
DOOR LATCH ASSY (PRESSURE LATCH & STRIKER)
TRI-FOLD DOOR HINGE
METAL ANCHOR TABS, ANGLE
INNER DOOR SWEEP BRACKETS
OUTER DOOR SWEEP BRACKETS
GP RUBBER SEAL
DOOR FOOT BOLT 6" L x 1/2" DIA

PSB-SDD26B-AK with (PSB-SSDD-48EPK-AK) PSBSSDD-48" SDD & SEMI Extension Panel Assembly Kit

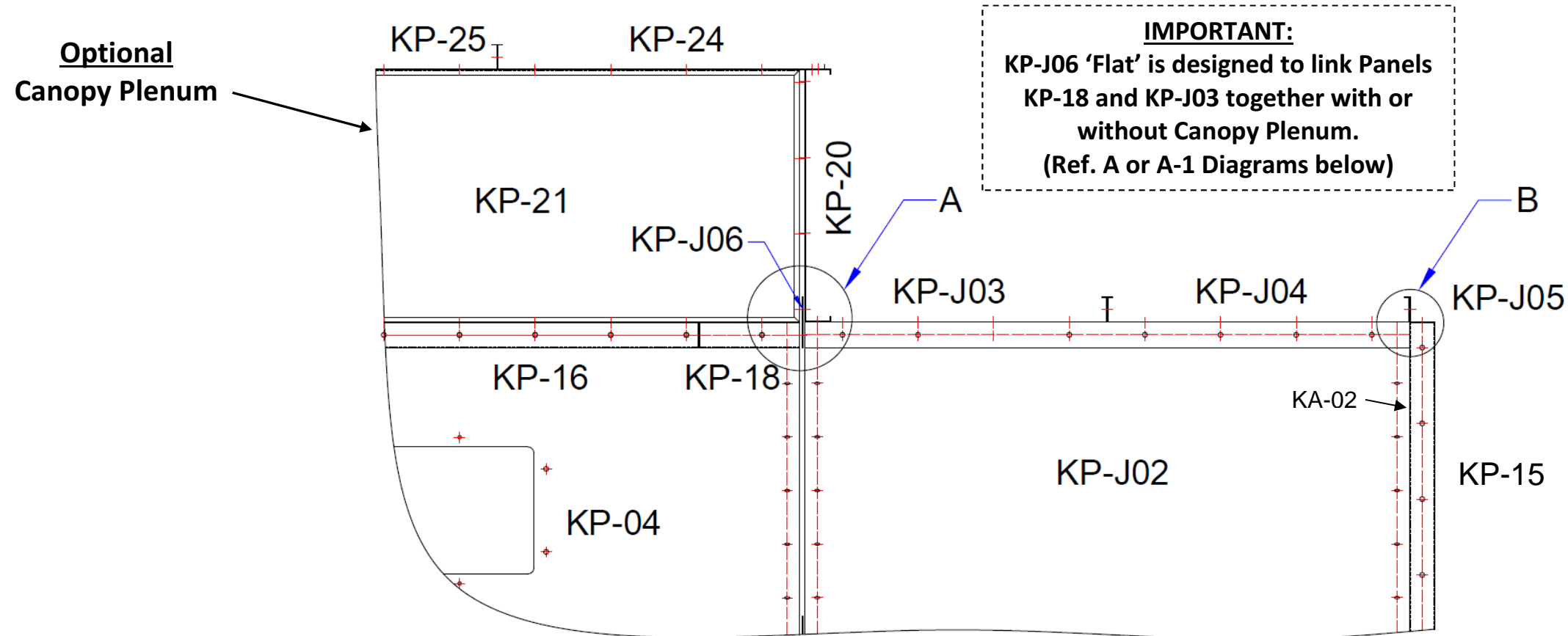
SIDE DOWNDRAFT with 48" EXTENSION KIT ASSEMBLY DIAGRAM (Left Side)

SPECIAL NOTE:
Booth End Support Angles, KA-01 & KA-02 must be relocated to backside of Booth, when installing 48" Extension Kit.



PSB-SDD26B-AK with (PSB-SSDD-48EPK-AK) PSBSSDD-48" SDD & SEMI Extension Panel Assembly Kit

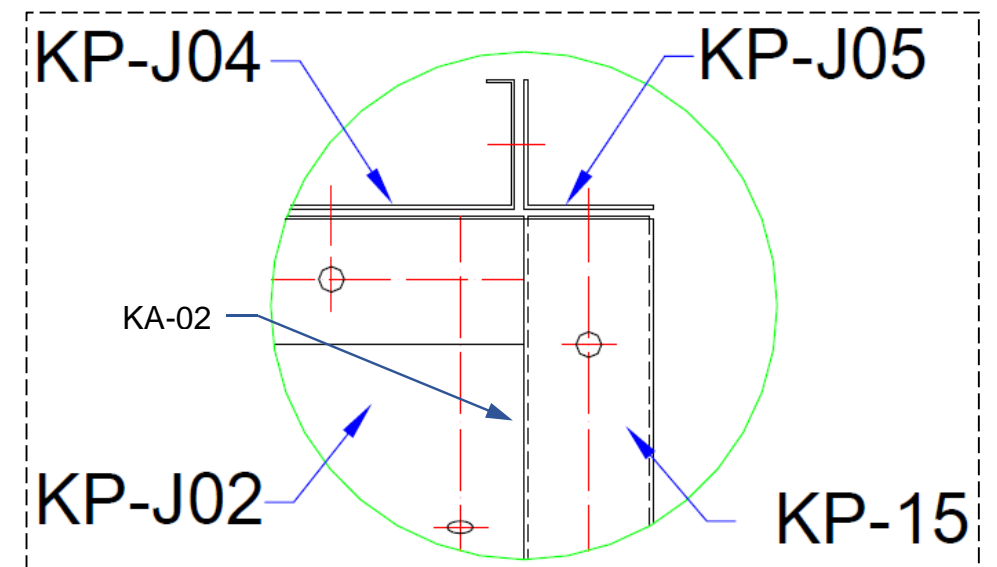
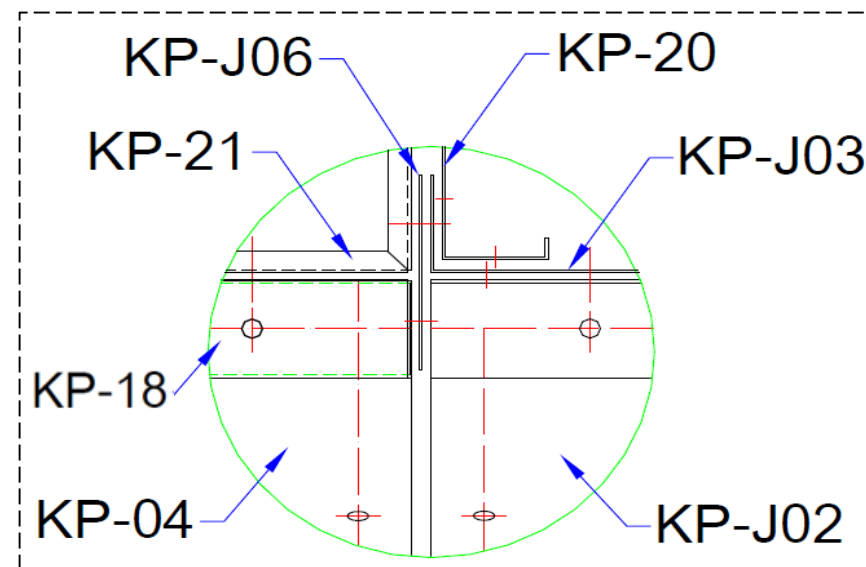
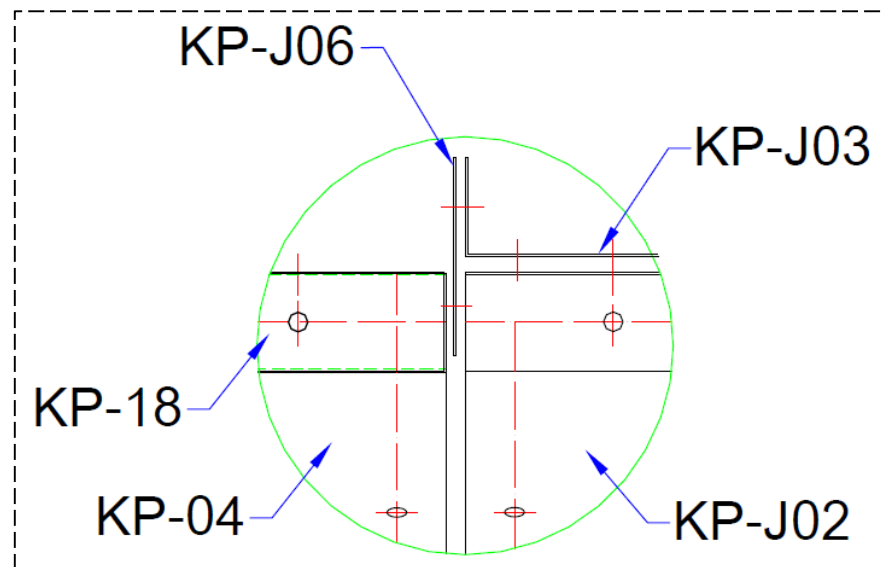
SIDE DOWNDRAFT with 48" EXTENSION KIT DETAILED ASSEMBLY DIAGRAMS



A

A-1

B



SIDE DOWNDRAFT: No Canopy Plenum

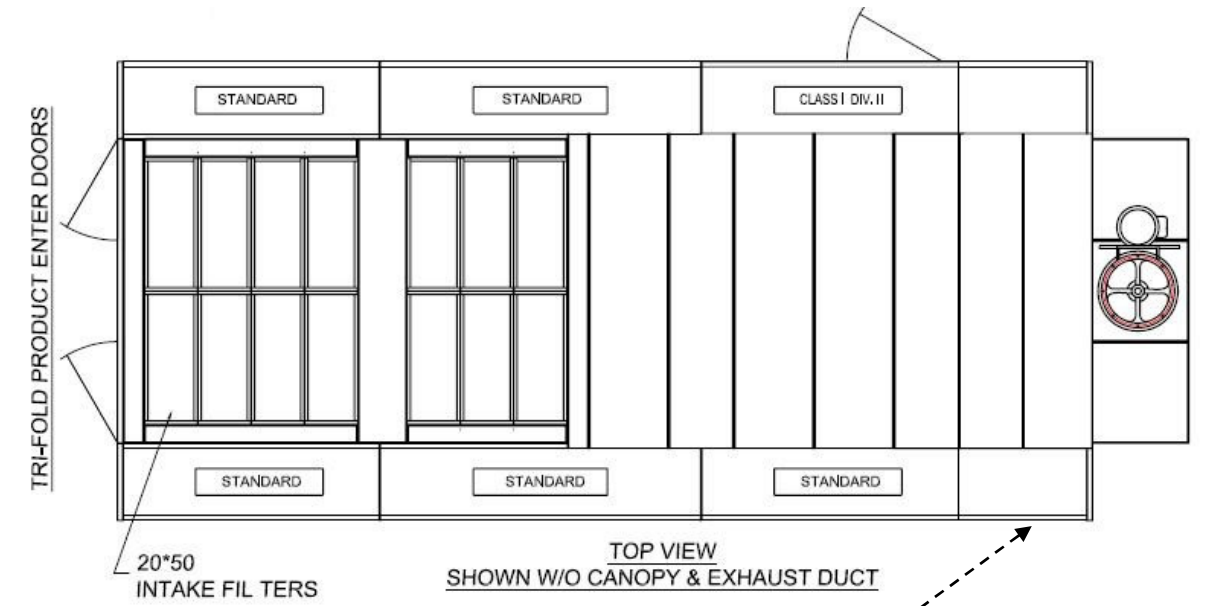
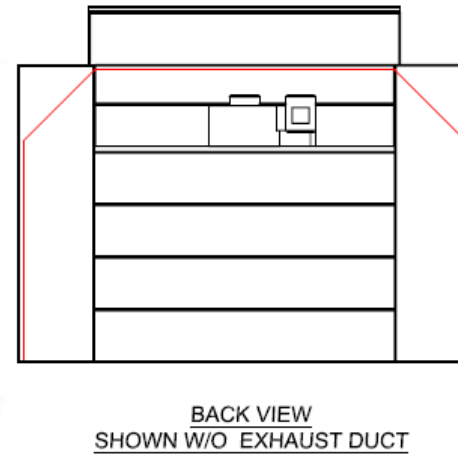
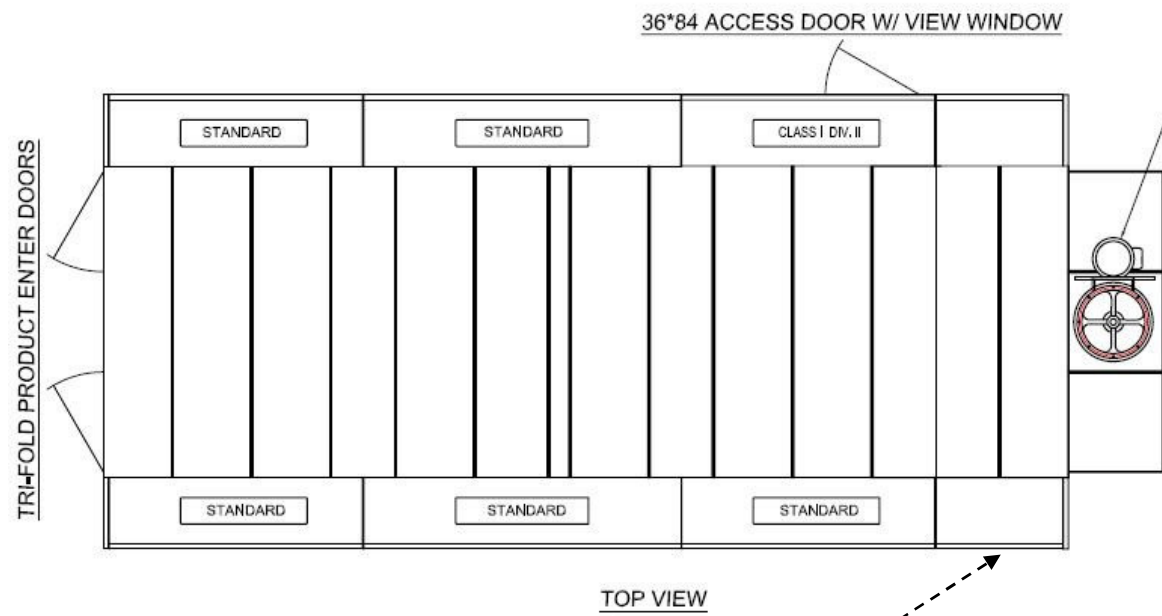
SIDE DOWNDRAFT: With Canopy Plenum

SIDE DOWNDRAFT: KP-J05 links KP-J04 & KP-15

PSB-SDD26B-AK with (PSB-SSDD-48EPK-AK) PSBSSDD-48" SDD & SEMI Extension Panel Assembly Kit

SEMI DOWNDRAFT with 48" EXTENSION KIT FLOOR PLAN & ELEVATION DIMENSIONS

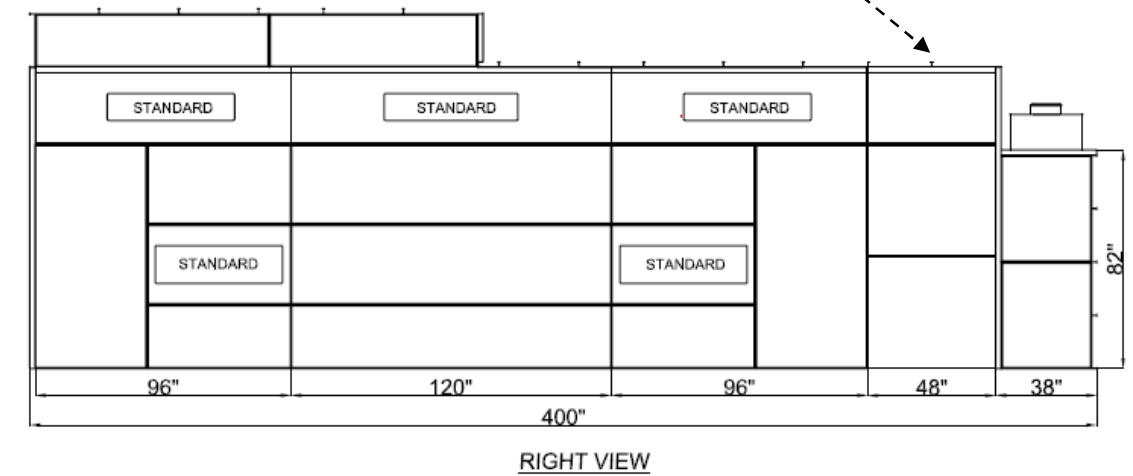
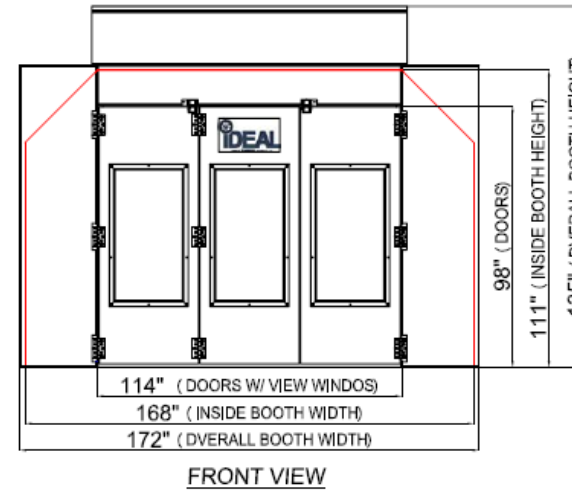
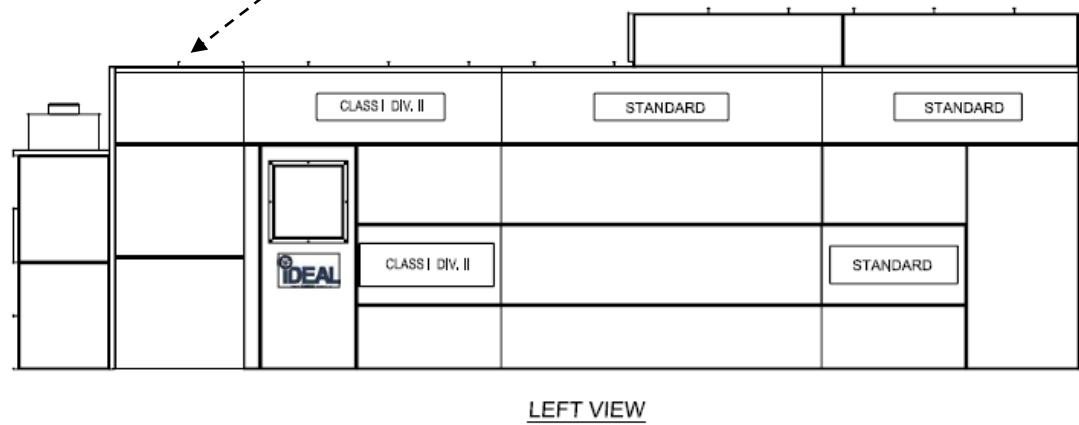
PSB-SEMIDD26B-AK with (PSB-SSDD-48EPK-AK) PSBSSDD 48" SDD & SEMI Extension Panel Assembly Kit



48" EXTENSION KIT

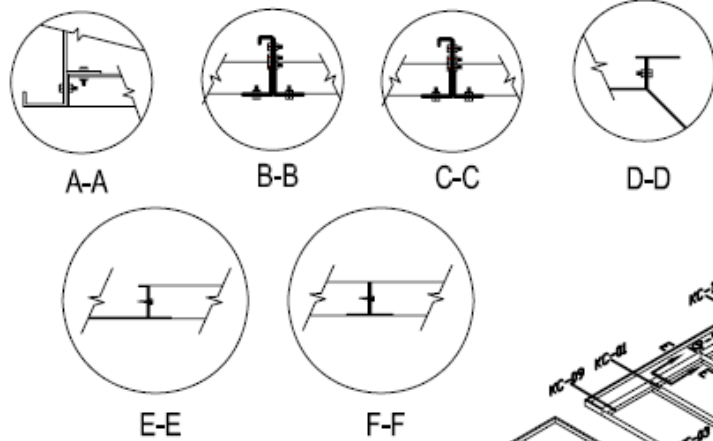
NOTE:
SOME DIAGRAMS
SHOWN WITH OPTIONAL
CANOPY PLENUM KIT

48" EXTENSION KIT



SEMI DOWNDRAFT with 48" EXTENSION KIT ASSEMBLY DIAGRAM (Right Side)

48" EXTENSION KIT

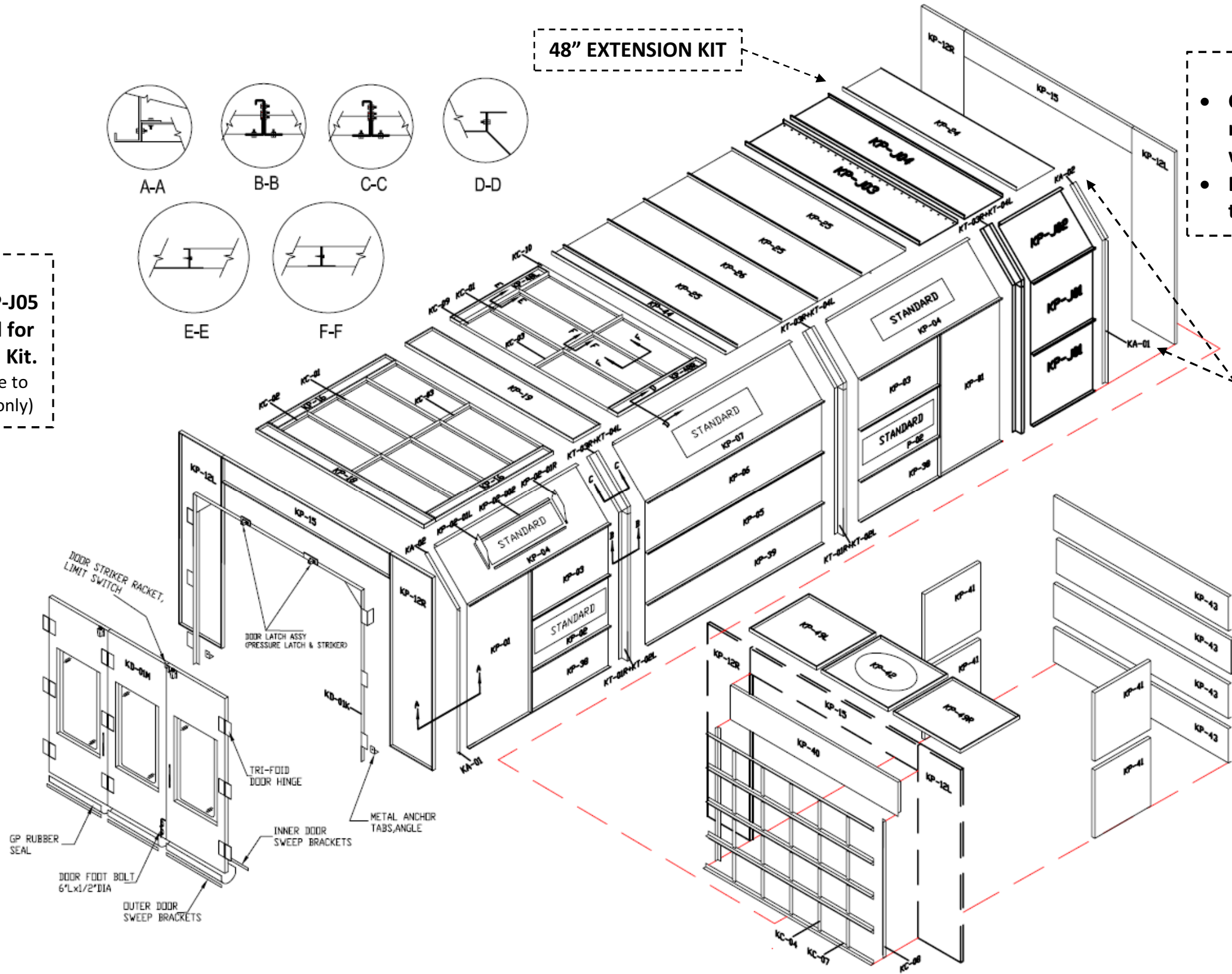


SPECIAL NOTE:

- Ceiling Panel KP-24 must be relocated to backside of Booth, when installing 48" Extension Kit.
- Extension Kit Ceiling Panel KP-J03 to be installed in place of KP-24.

IMPORTANT:
Extension Kit Panels KP-J05 & KP-J06 are NOT used for the SEMI-DD Extension Kit.
(These Panels are exclusive to the SIDE-DD Extension Kit only)

SPECIAL NOTE:
Booth End Support Angles, KA-01 & KA-02 must be relocated to backside of Booth, when installing 48" Extension Kit.



DOOR STRIKER RACKET, LIMIT SWITCH
DOOR LATCH ASSY (PRESSURE LATCH & STRIKER)
TRI-FOLD DOOR HINGE
METAL ANCHOR TABS, ANGLE
GP RUBBER SEAL
DOOR FOOT BOLT 6" L x 1/2" DIA
INNER DOOR SWEEP BRACKETS
OUTER DOOR SWEEP BRACKETS

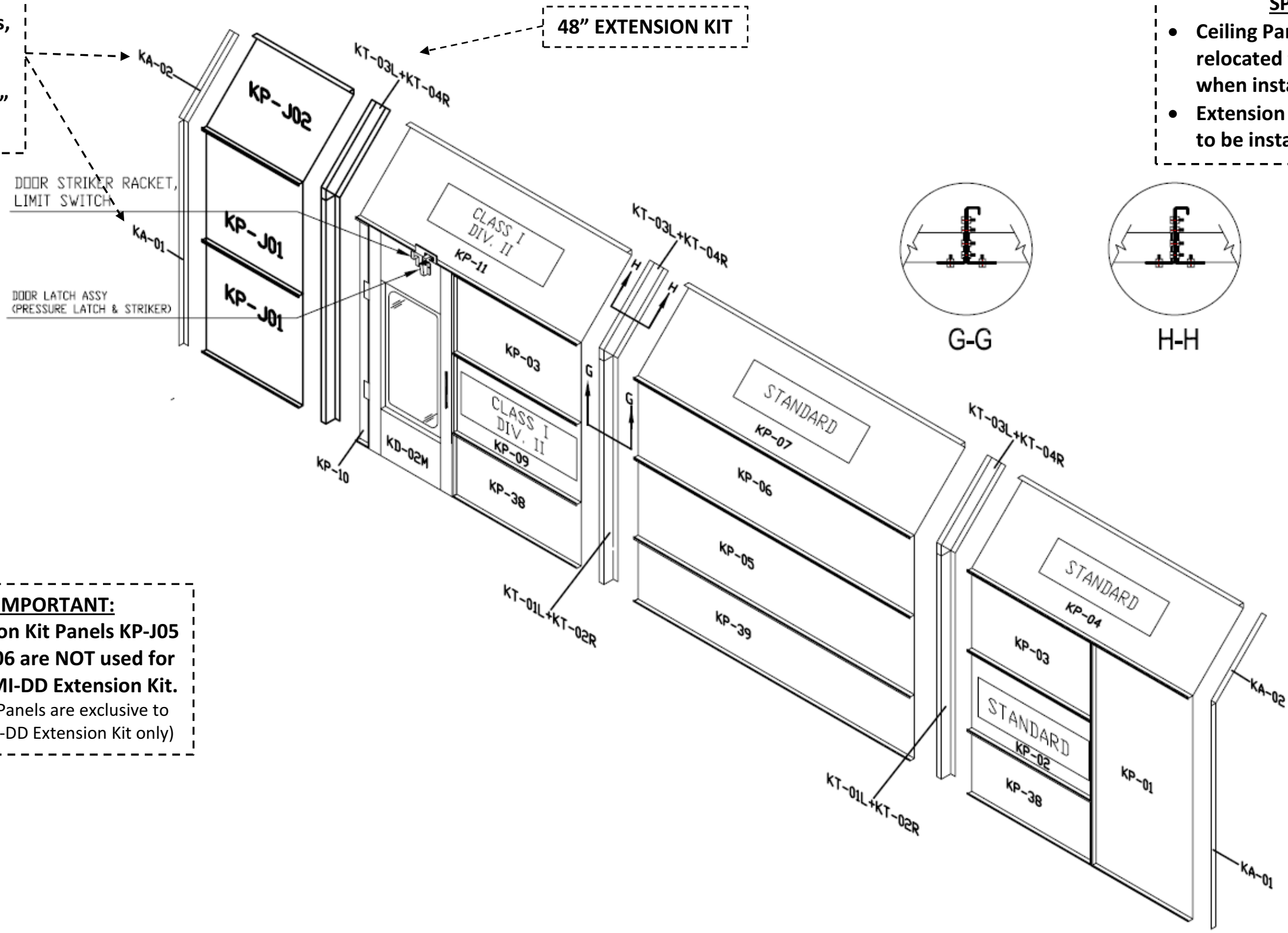
SEMI DOWNDRAFT with 48" EXTENSION KIT ASSEMBLY DIAGRAM (Left Side)

SPECIAL NOTE:
Booth End Support Angles, KA-01 & KA-02 must be relocated to backside of Booth, when installing 48" Extension Kit.

SPECIAL NOTE:

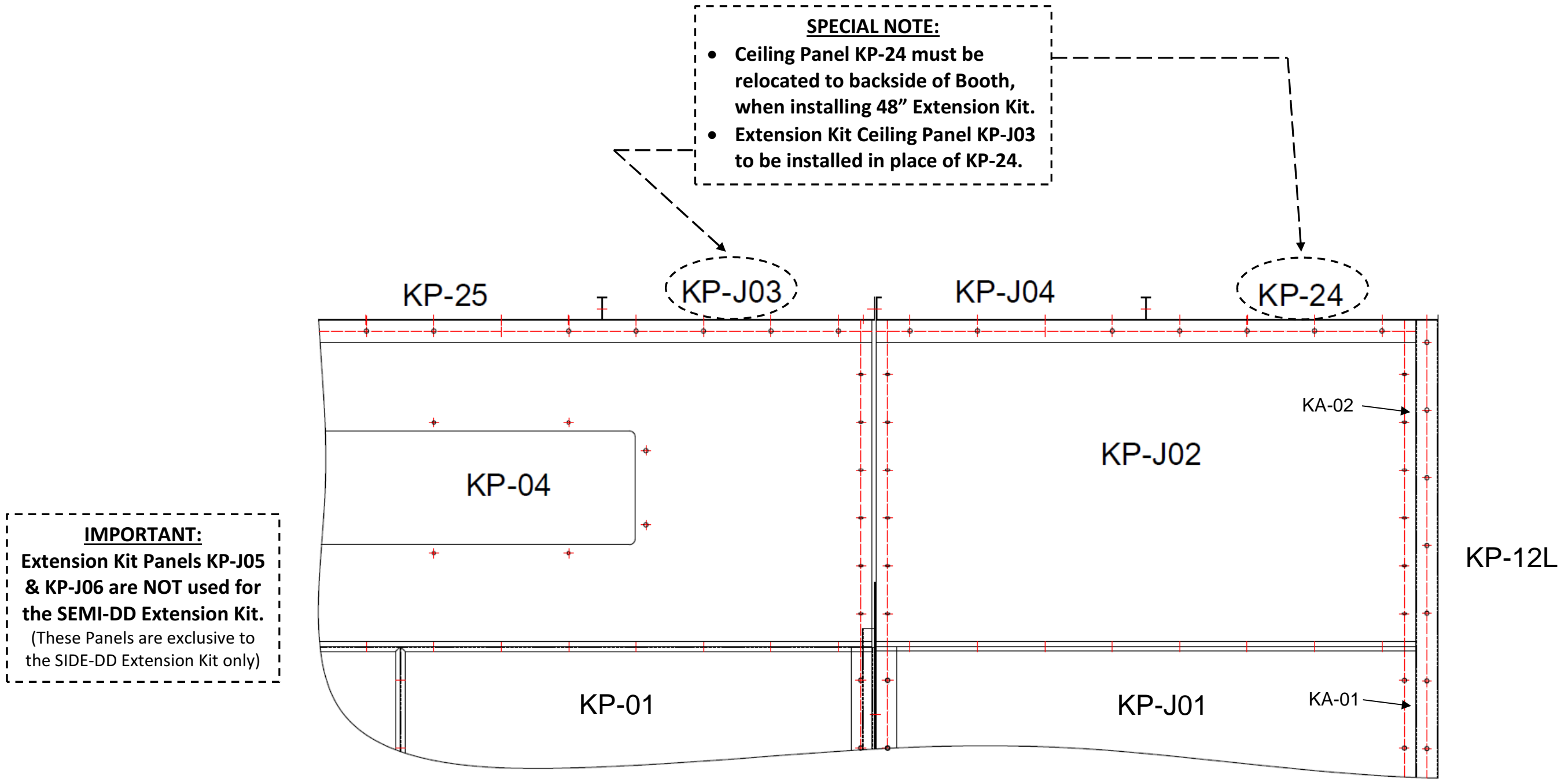
- Ceiling Panel KP-24 must be relocated to backside of Booth, when installing 48" Extension Kit.
- Extension Kit Ceiling Panel KP-J03 to be installed in place of KP-24.

IMPORTANT:
Extension Kit Panels KP-J05 & KP-J06 are NOT used for the SEMI-DD Extension Kit. (These Panels are exclusive to the SIDE-DD Extension Kit only)



PSB-SEMIDD26B-AK with (PSB-SSDD-48EPK-AK) PSBSSDD 48" SDD & SEMI Extension Panel Assembly Kit

SEMI DOWNDRAFT with 48" EXTENSION KIT DETAILED ASSEMBLY DIAGRAM



PSB-SEMIDD26B-AK with (PSB-SSDD-48EPK-AK) PSBSSDD 48" SDD & SEMI Extension Panel Assembly Kit

BOM LIST

SIDE & SEMI DOWNDRAFT 48" EXTENSION PANEL ASSEMBLY KIT (PSB-SSDD-48EPK-AK)

Qty	Part Number	Size (Inches)	Description	PSB SDD & SEMI Ext. Kit Locations	Special Note
4	KP-J01	48 x 42	Panel, Side Extension, 18ga	Rear Section - Sides	See Diagrams - SDD or SEMI-DD
2	KP-J02	48 x 38-1/8	Panel, Hip Ceiling Extension, 18ga	Rear Section - Sides / Hip	See Diagrams - SDD or SEMI-DD
1	KP-J03	24-1/4 x 118	Panel, Ceiling Extension, 18ga	Rear Ceiling Section	SEMI-DD <u>only</u> - Relocate KP-24 to Backside
1	KP-J04	24 x 118	Panel, Ceiling Extension, 18ga	Rear Ceiling Section	See Diagrams - SDD or SEMI-DD
1	KP-J05	2 x 2 x 118	Angle, Ceiling Connection, 18ga	Rear Ceiling Section - End	SDD <u>only</u> - Extension Ceiling - Back
1	KP-J06	4 x 114	Flat, Ceiling Connection, 18ga	Intake Filter Grid & Ceiling Connection - Top	SDD <u>only</u> - Extension Ceiling - Front
1	KT-01L	2 x 4-1/16 x 89-23/32	T-Bar w/ Flange-Left, 14ga	PSB Rear & Ext. Kit Front Connection - Sides	Ref. original SDD or SEMI-DD Manual & Diagrams
1	KT-01R	2 x 4-1/16 x 89-23/32	T-Bar w/ Flange-Right, 14ga	PSB Rear & Ext. Kit Front Connection - Sides	Ref. original SDD or SEMI-DD Manual & Diagrams
1	KT-02L	2 x 4-3/16 x 1 x 85-3/4	T-Bar-Left, 14ga	PSB Rear & Ext. Kit Front Connection - Sides	Ref. original SDD or SEMI-DD Manual & Diagrams
1	KT-02R	2 x 4-3/16 x 1 x 85-3/4	T-Bar-Right, 14ga	PSB Rear & Ext. Kit Front Connection - Sides	Ref. original SDD or SEMI-DD Manual & Diagrams
1	KT-03L	2 x 4-3/16 x 1 x 43-11/16	Hip, T-Bar w/ Flange-Left, 14ga	PSB Rear & Ext. Kit Front Connection - Sides / Hip	Ref. original SDD or SEMI-DD Manual & Diagrams
1	KT-03R	2 x 4-3/16 x 1 x 43-11/16	Hip, T-Bar w/ Flange-Right, 14ga	PSB Rear & Ext. Kit Front Connection - Sides / Hip	Ref. original SDD or SEMI-DD Manual & Diagrams
1	KT-04L	2 x 4-1/16 x 38-1/32	Hip, T-Bar-Left, 14ga	PSB Rear & Ext. Kit Front Connection - Sides / Hip	Ref. original SDD or SEMI-DD Manual & Diagrams
1	KT-04R	2 x 4-1/16 x 38-1/32	Hip, T-Bar-Right, 14ga	PSB Rear & Ext. Kit Front Connection - Sides / Hip	Ref. original SDD or SEMI-DD Manual & Diagrams
198	PSBSDD-13053	→	5/16"-18 x 3/4" Hex Cap Screw, Grd. 5	Extension Kit Shell Assembly	
198	PSBSDD-37339	→	5/16"-18 Serrated Flange Nut	Extension Kit Shell Assembly	
16	PSBSDD-50506	→	1/4" x 1-1/2" Nail-In Anchor Pin Bolt Drive	Extension Kit Shell Assembly	
2	PSBSDD-5E079	→	DAP 10.1 oz. All-Purpose Acrylic Latex Caulk	Extension Kit Shell Assembly	

NOTE: The SSDD-48" SDD & SEMI Extension Kit BOM is supplemental to the original PSB-SDD & SEMI BOMs.

PSB-SDD26-AK - SIDE Downdraft PSB with 48" Extension Panel Assy. Kit

Inside Dims	30'L x 14'W x 9'-3"H
Outside Dims	30'-4"L x 17'-8"W x 9'-5"H (11'-3"H w/ Plenum Canopy)

PSB-SEMIDD26-AK - SEMI Downdraft PSB with 48" Extension Panel Assy. Kit

Inside Dims	30'L x 14'W x 9'-3"H
Outside Dims	33'-4"L x 14'-4"W x 9'-7"H (11'-3"H w/ Plenum Canopy)