



High Rise Stand

MSC-STAND18X

Capacity 18,000 lbs.



Installation, Operation & Maintenance Manual

July 2018

Index

➤ SAFETY INFORMATION.....	PAGE 1
➤ ADDITIONAL SAFETY INFORMATION.....	PAGE 1
➤ IMPORTANT INFORMATION.....	PAGE 2
➤ SAFETY LABELS & PRODUCT ID INFORMATION.....	PAGE 2
➤ SPECIFICATIONS.....	PAGE 3
➤ BEFORE USING.....	PAGE 3
➤ OPERATION INSTRUCTIONS.....	PAGE 4
➤ MAINTENANCE & INSPECTION.....	PAGE 5
➤ STORAGE.....	PAGE 5
➤ EXPLODED DIAGRAM.....	PAGE 5
➤ PARTS LIST.....	PAGE 6
➤ LIMITED WARRANTY.....	PAGE 7

Safety Information

FOR YOUR SAFETY, BEFORE USING STAND, READ, UNDERSTAND, AND FOLLOW THE SAFETY PRECAUTIONS AND OPERATING INSTRUCTIONS IN THIS MANUAL.

THIS EQUIPMENT MUST BE OPERATED & REPAIRED BY QUALIFIED PERSONNEL. FAILURE TO COMPLY COULD RESULT IN DEATH, BODILY INJURY AND/OR DAMAGE TO EQUIPMENT.

- Study, understand, and follow all Instructions before operating this device.
- Use a minimum of four Stands to support and stabilize a vehicle, and a minimum of two additional Stands for each additional axle assembly, before starting repairs.
- Do not exceed rated capacity.
- Use only on a hard, level surface.
- The vehicle shall be raised only once to place vehicle support Stands under the entire vehicle.
- Ensure Stands are stable and vehicle is balanced before lowering the vehicle onto Stands.
- Locate saddles at vehicle manufacturer's designated support points.
- Carefully lower the vehicle onto all Stands simultaneously.
- Center load on saddles.
- Do not apply horizontal forces or large torque loads to vehicle while the vehicle is support on Stands.
- Do not start engine while the vehicle is support on Stands.
- Failure to heed these markings may result in personal injury and/or property damage.

Additional Safety Information

- Only attachments, restraints, or adapters supplied by the manufacturer shall be used.
- No alternations shall be made to this product.

Important Information

- Stand shall be maintained by a qualified person.
- Stand shall be inspected immediately if the device is believed to have been subject to an abnormal load or shock. This inspection should be made by a manufacturer's or supplier's authorized facility.
- Owners and operators should be aware that repair of this equipment may require specialized knowledge and facilities.
- An annual inspection of Stand should be made by a manufacturer's or supplier's authorized repair facility, and any defective parts, decals, or safety labels or signs should be replaced with manufacturers or supplier's specified parts. A list of authorized repair facilities should be available from the manufacturer or supplier.
- Any Stand that appears to be damaged in any way, is found to be worn, or operates abnormally **SHALL BE REMOVED FROM SERVICE UNTIL REPAIRED**. Necessary repairs should be made by manufacturer's or supplier's authorized repair facility if repairs are permitted by the manufacturer or supplier.
- **ONLY** attachments and adapters supplied by or approved by the manufacturer shall be used.
- It shall be the responsibility of the employer to ensure that applicable personal protective equipment (PPE) complies with applicable local safety codes.

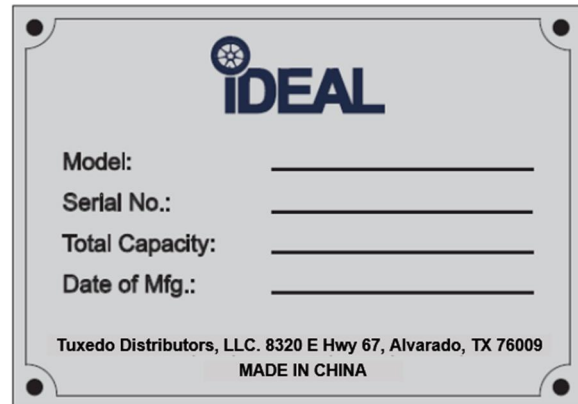
Safety Labels & Product ID Information

⚠ WARNING

- Study, understand, and follow all instructions before operating this device.
- Use a minimum of four stands to support and stabilize a vehicle, and a minimum of two additional stands for each additional axle assembly, before starting repairs.
- Do not exceed rated capacity.
- Use only on a hard, level surface.
- The vehicle shall be raised only once to place vehicle support stands under the entire vehicle.
- Ensure stands are stable and vehicle is balanced before lowering the vehicle onto stands.
- Locate saddles at vehicle manufacturer's designated support points.
- Carefully lower the vehicle onto all stands simultaneously.
- Center load on saddles.
- Do not apply horizontal forces or large torque loads to vehicle while the vehicle is support on stands.
- Do not start engine while the vehicle is support on stands.
- Failure to heed these markings may result in personal injury and/or property damage.

SAFE INSTRUCTION

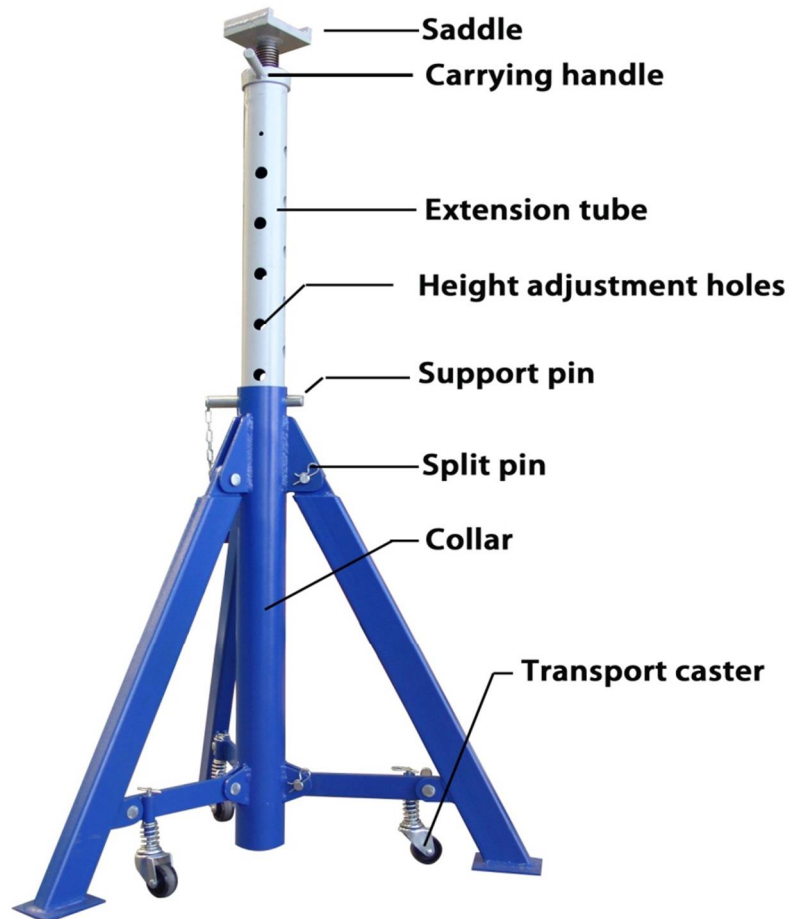
- Only attachments, restraints, or adapters supplied by the manufacturer shall be used.
- No alterations shall be made to this product.



The image shows a rectangular product ID label with a light gray background and a black border. At the top center is the IDEAL logo, which consists of a stylized gear icon followed by the word "IDEAL" in a bold, sans-serif font. Below the logo are four rows of text, each followed by a horizontal line for handwritten entry: "Model:", "Serial No.:", "Total Capacity:", and "Date of Mfg.:". At the bottom of the label, there is a line of text: "Tuxedo Distributors, LLC. 8320 E Hwy 67, Alvarado, TX 76009" and "MADE IN CHINA" centered below it.

Specifications

Item No.	Capacity	Min. Height	Max. Height	Net Weight
MSC-STAND18X	18,000 lbs.	48-5/8+	69-7/8+	167 lbs.



Before Using

1. Verify that the product and the application are compatible.
2. Inspect Stands before each use. Do not use if there are bent, broken or cracked components noted (including labels). Ensure that all parts move freely.
3. Read this operator's manual completely and familiarize yourself thoroughly with the product and the hazards associated with its improper use **before** using this product.
4. Always refer to the vehicle owner's or service manual for location of proper lift and support points.

Operation Instructions

WARNING

USE ONLY on areas of the vehicle as specified by the vehicle manufacturer. **USE ONLY** on vehicles whose support points are compatible with the saddle of Stand. Incompatibility may result in structural damage to the vehicle and/or Stand. Structural damage to either may result in sudden and unexpected loss of load height!

To Support Load:

1. Change saddle height by adjusting the extension tube, then insert the support pin through **both** holes of the tube and collar (see Fig. 1). For a short distance, saddle height adjustment is available by rotating the screw rod (see Fig. 2).



Fig. 1



Fig. 2

2. Check that support pin is securely seated across both tube and collar before loading. Ensure that support pin is inserted completely so that it engages the collar.
3. Carefully position Stands so that load will be centered on Stand's saddle pad.
4. Carefully lower the vehicle onto all Stands simultaneously.
5. Check to ensure vehicle is properly balanced and stable before working on, around or under, if not, raise the load again and reposition the Stands until a stable condition is achieved.

To Lower Load:

WARNING

Be sure that all tools and personnel are clear before lowering load.

1. With suitable lift, raise vehicle clear of Stands.
2. Carefully release support pin and adjust extension tube to lowest position.
3. Carefully remove Stands, then lower vehicle with lift device.

Maintenance & Inspection

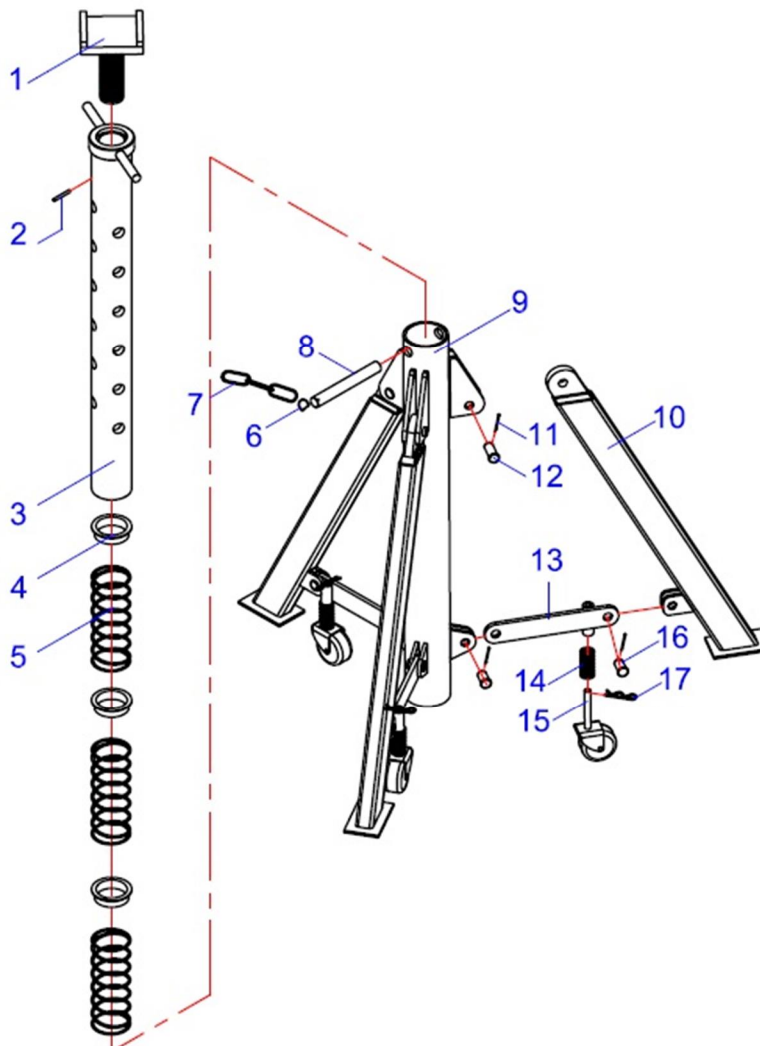
Only qualified personnel can perform maintenance on this equipment. Any failure in operation may cause personal injury or death.

1. Visual Inspection shall be made before each use of the Stands, checking for deformation, cracks, cracked welds and missing and / or damaged parts. Any Stand that appears to be damaged in any way **shall be removed from service immediately**.
2. Because of the potential hazards associated with the misuse of equipment of this type, no modifications should be made of the product without consent from manufacturer.

Storage

1. Always store Stands in the upright position and in a clean and dry area to help prevent rust.

Exploded Diagram



Parts List

Item #	Part #	Description	Qty.	Remark
1	ZJ11-01000-000	Saddle	1	
2	5402-06040-000	Spring Pin	1	6x40
3	ZJ14-06000-000	Extension Tube	1	
4	ZJ12-00002-000	Spring Spacer	3	
5	ZJ12-00001-000	Spring	3	
6	ZJ06-03002-000	Hook	1	
7	ZJ06-03003-000	Chain	1	
8	ZJ06-03001-000	Pin	1	
9	ZJ14-01000-000	Collar	1	
10	ZJ14-02000-000	Stand Body	3	
11	5404-04028-000	Split Pin	9	4x28
12	ZJ14-00001-000	Pin	3	
13	ZJ14-02000-000	Joint Lever	3	
14	ZJ06-00001-000	Spring	3	
15	ZJ06-05000-000	Caster	3	
16	ZJ14-00003-000	Pin	6	
17	SJ01-00033-000	Split Pin	3	

For Parts & Service Assistance
Please contact IDEAL Automotive Equipment @ Toll Free: 877-588-9337

ALWAYS REPLACE WORN PARTS WITH GENUINE, AUTHORIZED PARTS.

LIMITED WARRANTY

Structural Warranty:

The following parts and structural components carry a five year warranty:

Columns	Arms	Uprights	Swivel Pins
Legs	Carriages	Overhead Beam	
Tracks	Cross Rails	Top Rail Beam	

Limited One-Year Warranty:

Tuxedo Distributors, LLC (iDEAL) offers a limited one-year warranty to the original purchaser of Lifts and Wheel Service equipment in the United States and Canada. Tuxedo will replace, without charge, any part found defective in materials or workmanship under normal use, for a period of one year after purchase. The purchaser is responsible for all shipping charges. This warranty does not apply to equipment that has been improperly installed or altered or that has not been operated or maintained according to specifications.

Other Limitations:

This warranty does not cover:

1. Parts needed for normal maintenance
2. Wear parts, including but not limited to cables, slider blocks, chains, rubber pads and pulleys
3. Replacement of lift and tire changer cylinders after the first 30 days. A seal kit and installation instructions will be sent for repairs thereafter.
4. On-site labor

Upon receipt, the customer must visually inspect the equipment for any potential freight damage before signing clear on the shipping receipt. Freight damage is not considered a warranty issue and therefore must be noted for any potential recovery with the shipping company.

The customer is required to notify Tuxedo of any missing parts within 72 hours. Timely notification must be received to be covered under warranty.

Tuxedo will replace any defective part under warranty at no charge as soon as such parts become available from the manufacturer. No guarantee is given as to the immediate availability of replacement parts.

Tuxedo reserves the right to make improvements and/or design changes to its lifts without any obligation to previously sold, assembled or fabricated equipment.

There is no other express warranty on the Tuxedo lifts and this warranty is exclusive of and in lieu of all other warranties, expressed or implied, including all warranties of merchantability and fitness for a particular purpose.

To the fullest extent allowed by law, Tuxedo shall not be liable for loss of use, cost of cover, lost profits, inconvenience, lost time, commercial loss or other incidental or consequential damages.

This Limited Warranty is granted to the original purchaser only and is not transferable or assignable.

Some states do not allow exclusion or limitation of consequential damages or how long an implied warranty lasts, so the above limitations and exclusions may not apply. This warranty gives you specific legal rights and you may have other rights, which may vary from state to state.

8320 E Hwy 67, Alvarado, TX 76009
Ph 817-558-9337 / Fax 817-558-9740