

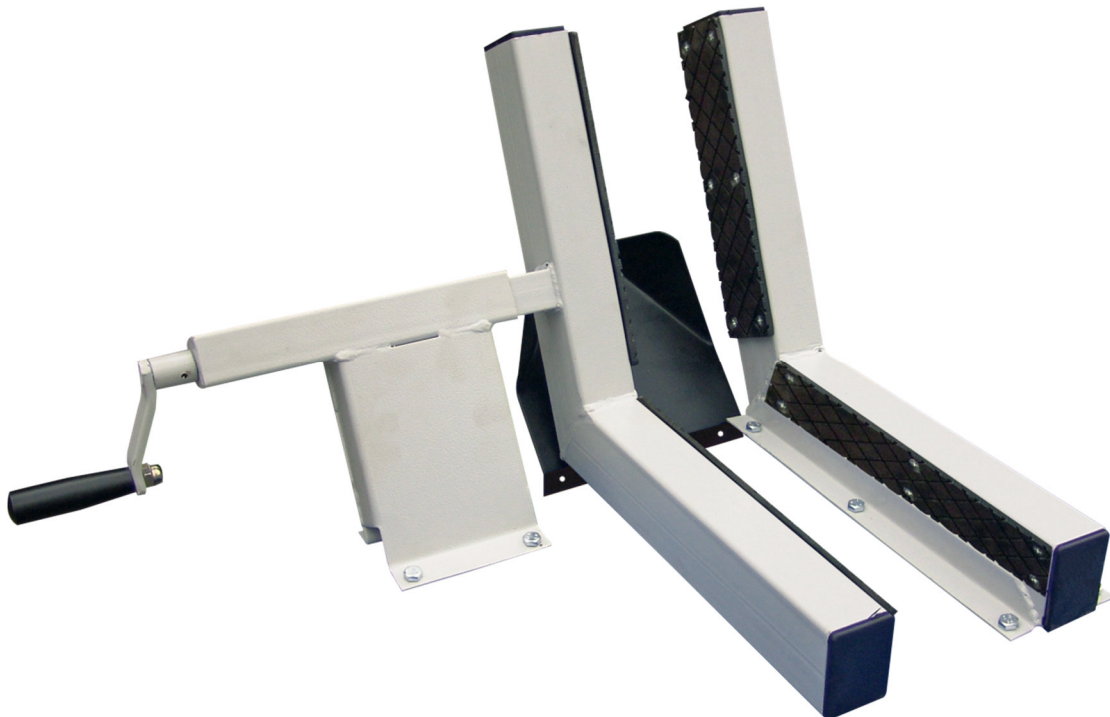


CYCLE VISE

#M-VISE

Installation / Operation Instructions

(3612P02)



CAUTION

**BEFORE USE, PLEASE READ ALL SAFETY AND OPERATION INSTRUCTIONS TO PREVENT
SERIOUS INJURY OR DAMAGES.**

Key Features:

- Directly mounts to iDEAL M-2200IEH lift, Front Extensions & other 2200IEH lifts.
- Also mounts to M-1000C, M-1300C-TRIKE & M-1500C-HR lift models.
- Bolt-on Wheel Stop & Tie-down Bolts included.
- Securely holds motorcycle in upright / fixed position.
- Rubber pads included for motorcycle wheel protection.
- Universal clamp design to fit most motorcycle front wheels.
- Heavy-duty steel construction
- All hardware included.

Safety Information:

- ❖ Before each use, ensure the VISE is in proper working condition.
- ❖ Do not let children play on or around VISE when loaded or unloaded.
- ❖ Always maneuver motorcycle 'slowly & carefully' while positioning to VISE.
- ❖ During operation, always secure motorcycle to lift platform using tie-down straps.
- ❖ Ensure motorcycle wheel is completely engaged & secured in the VISE prior to releasing.
- ❖ Before removing (off-loading) motorcycle from VISE, ensure to double check that there are no persons, objects or any other impediments behind the lift and/or motorcycle.

Installation:

1. Align the holes of the fixed clamp (4) with the holes of platform. Tighten to secure.
2. Align the holes of the moveable clamp (3) with the holes of platform. Tighten to secure.
3. For M-1000C lifts, attach Wheel Stop Plate (6) to end of platform. Tighten to secure.
4. If not included with lift, mount tie-down Eye Bolts (7) at corners of platform. Tighten to secure.

Operation:

Loading

1. Carefully push motorcycle on the fully lowered lift platform while keeping the motorcycle centered.
2. Push forward until the front wheel engages mounted VISE.
3. Tighten VISE Clamp to secure front wheel.
4. Secure motorcycle to tie-down anchor points on lift.

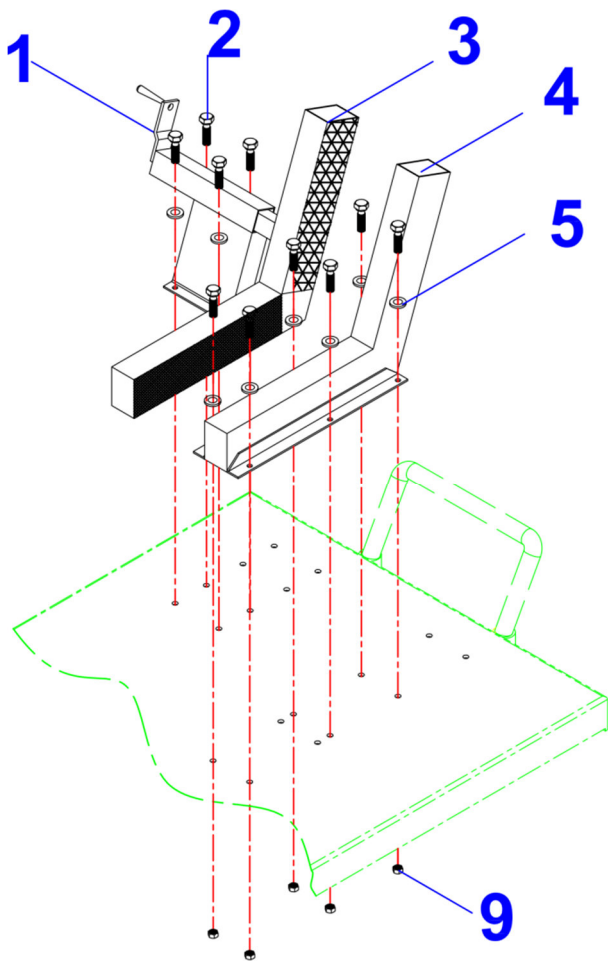
Off-Loading

1. Ensure lift is at the lowest position before removing motorcycle from VISE.
2. Remove tie-downs, securing motorcycle to lift.
3. Loosen VISE Clamp while maintaining the motorcycle's balance.
(NOTE: Be prepared to use motorcycle brakes to control movement, once released from VISE)
4. Carefully back the motorcycle off the lift.

Maintenance:

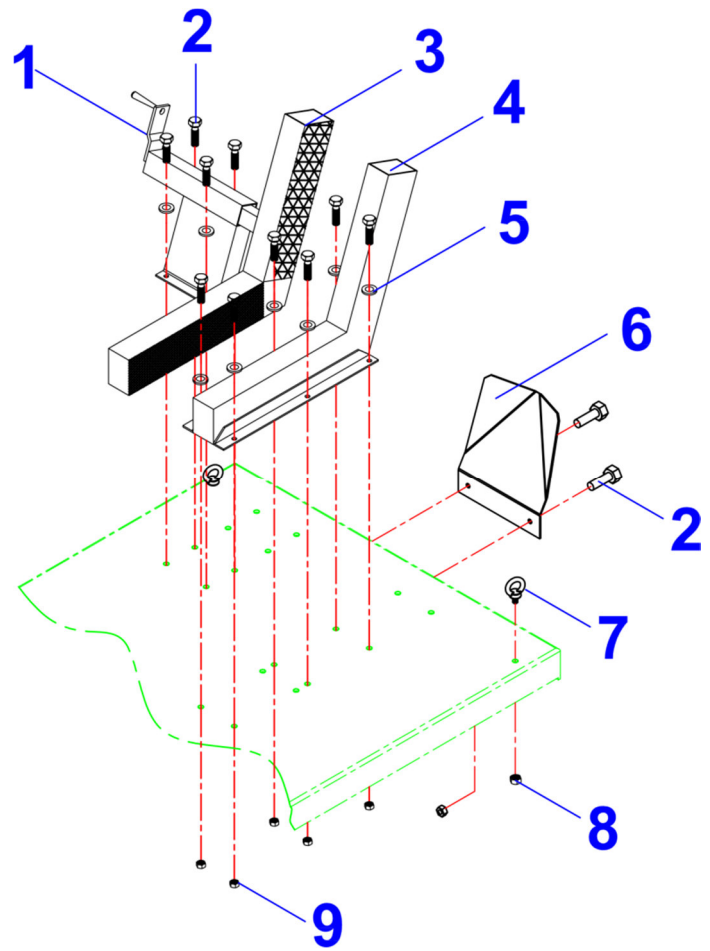
- Recommended to periodically apply oil to fixed clamp Handle mechanism.
- Check that all Nuts & Bolts are properly tightened before use.

Exploded Drawing:



Mounting to M-2200-IEH Lift Series

(M-1500C-HR, M-1300-TRIKE Lifts & FRTEXT-2200IEH)



Mounting to M-1000C Lift

(13" Front Extension Panel)

Parts List:

No.	Part No.	Description	Qty.	Remark
1	JP02-08000-000	Handle	1	
2	5101-08025-000	Hex bolt - M8	12	
3	JP02-07000-000	Moveable clamp	1	
4	JP02-06000-000	Fixed clamp	1	
5	5301-00008-000	Flat washer - M8	10	
6	JP02-00011-000	Wheel stop plate	1	Only M-1000C Lift
7	JP02-00009-000	Tie-down eye bolt	4	Only M-1000C Lift
8	5202-00010-000	Nylon Hex nut - M10	4	Only M-1000C Lift
9	5202-00008-000	Hex nut - M8	12	

LIMITED WARRANTY

Structural Warranty:

The following parts and structural components carry a five year warranty:

Columns	Arms	Uprights	Swivel Pins
Legs	Carriages	Overhead Beam	
Tracks	Cross Rails	Top Rail Beam	

Limited One-Year Warranty:

Tuxedo Distributors, LLC (iDEAL) offers a limited one-year warranty to the original purchaser of Lifts and Wheel Service equipment in the United States and Canada. Tuxedo will replace, without charge, any part found defective in materials or workmanship under normal use, for a period of one year after purchase. The purchaser is responsible for all shipping charges. This warranty does not apply to equipment that has been improperly installed or altered or that has not been operated or maintained according to specifications.

Other Limitations:

This warranty does not cover:

1. Parts needed for normal maintenance
2. Wear parts, including but not limited to cables, slider blocks, chains, rubber pads and pulleys
3. Replacement of lift and tire changer cylinders after the first 30 days. A seal kit and installation instructions will be sent for repairs thereafter.
4. On-site labor

Upon receipt, the customer must visually inspect the equipment for any potential freight damage before signing clear on the shipping receipt. Freight damage is not considered a warranty issue and therefore must be noted for any potential recovery with the shipping company.

The customer is required to notify Tuxedo of any missing parts within 72 hours. Timely notification must be received to be covered under warranty.

Tuxedo will replace any defective part under warranty at no charge as soon as such parts become available from the manufacturer. No guarantee is given as to the immediate availability of replacement parts.

Tuxedo reserves the right to make improvements and/or design changes to its lifts without any obligation to previously sold, assembled or fabricated equipment.

There is no other express warranty on the Tuxedo lifts and this warranty is exclusive of and in lieu of all other warranties, expressed or implied, including all warranties of merchantability and fitness for a particular purpose.

To the fullest extent allowed by law, Tuxedo shall not be liable for loss of use, cost of cover, lost profits, inconvenience, lost time, commercial loss or other incidental or consequential damages.

This Limited Warranty is granted to the original purchaser only and is not transferable or assignable.

Some states do not allow exclusion or limitation of consequential damages or how long an implied warranty lasts, so the above limitations and exclusions may not apply. This warranty gives you specific legal rights and you may have other rights, which may vary from state to state.

1905 N Main St Suite C, Cleburne, TX 76033

Ph 817-558-9337 / Fax 817-558-9740