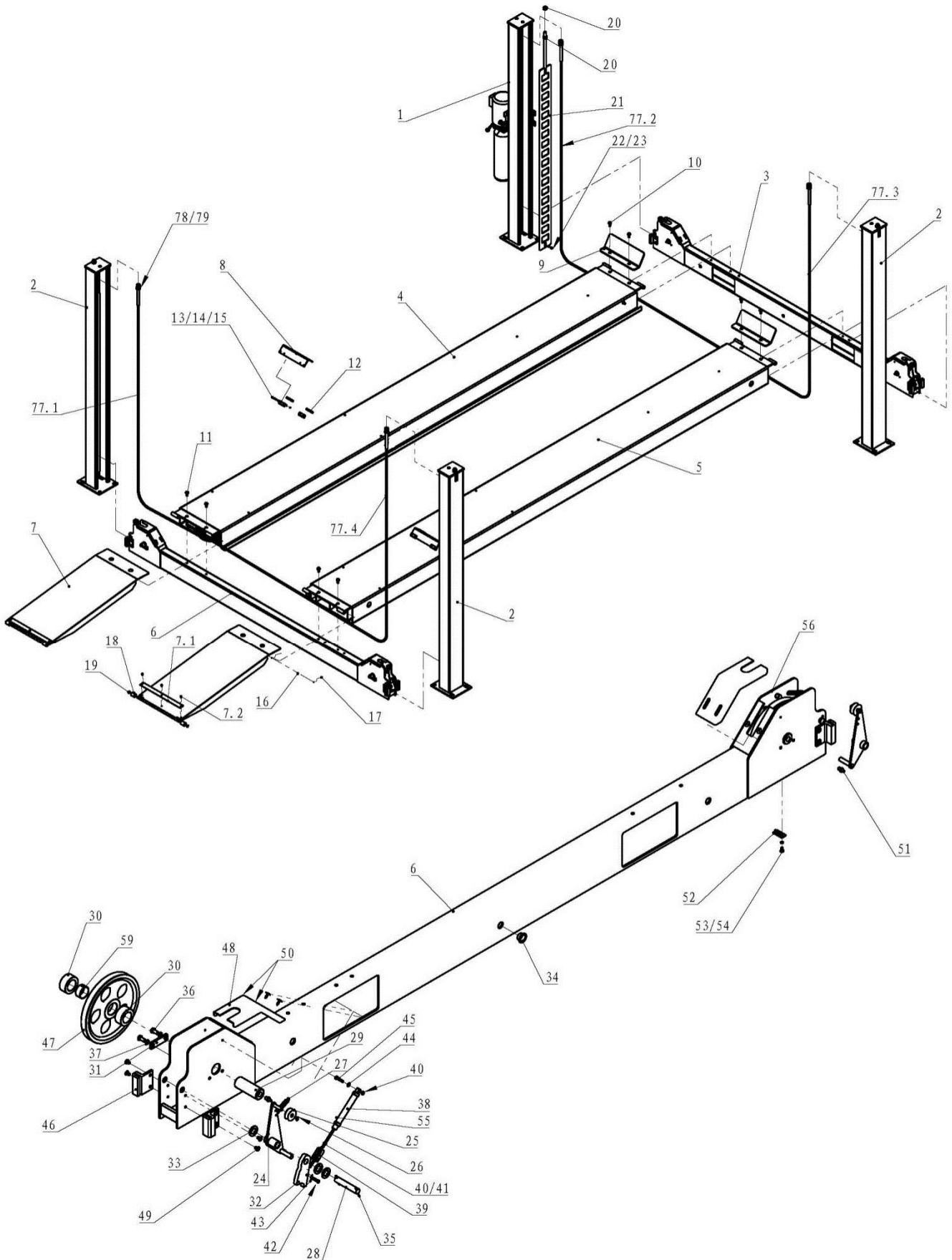
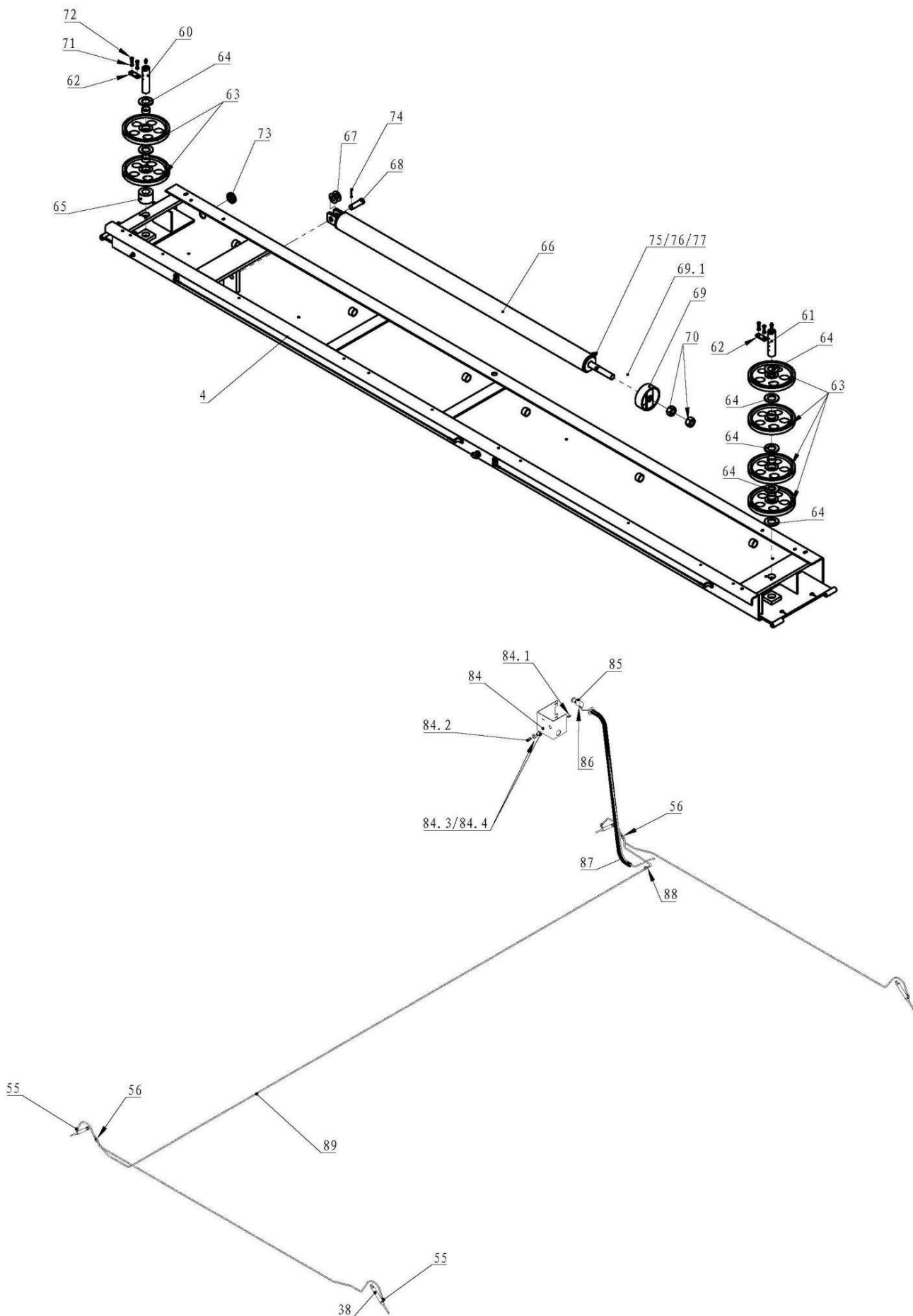
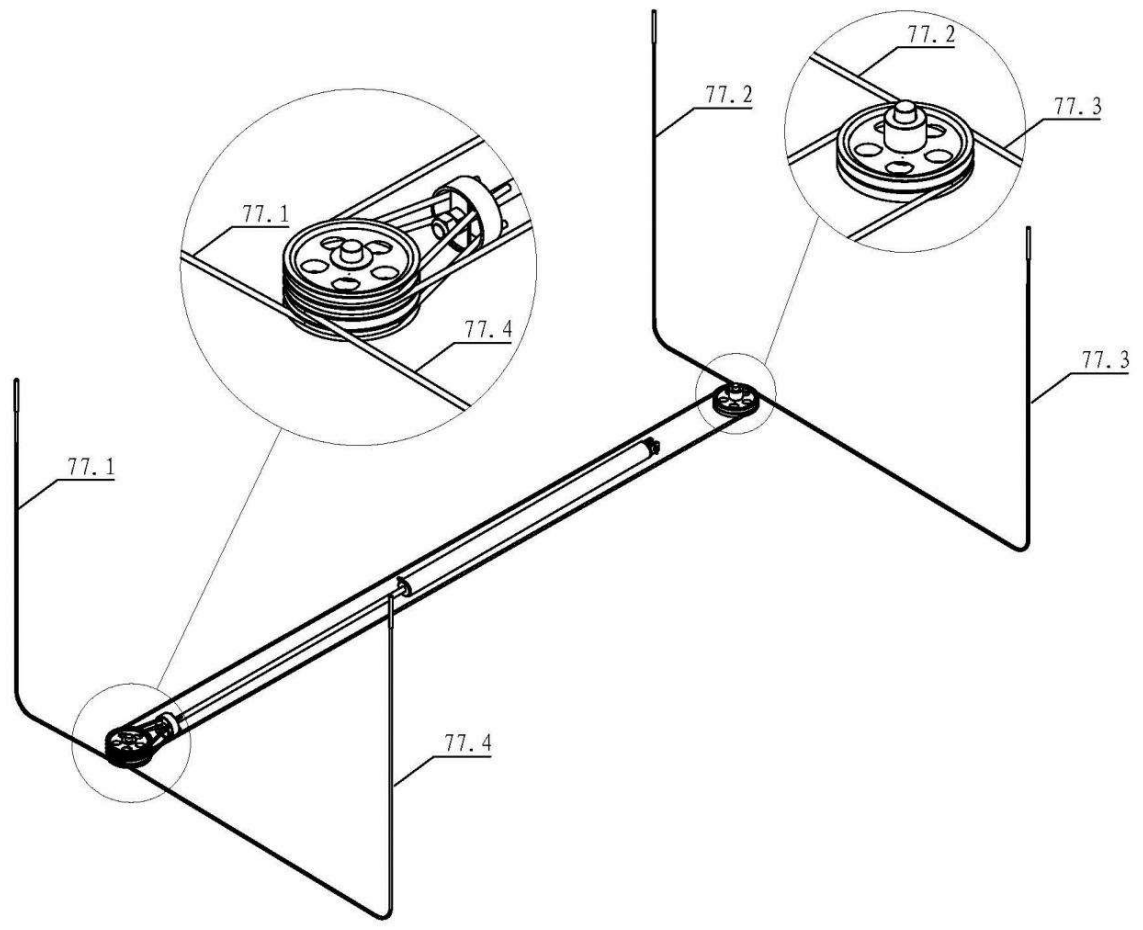
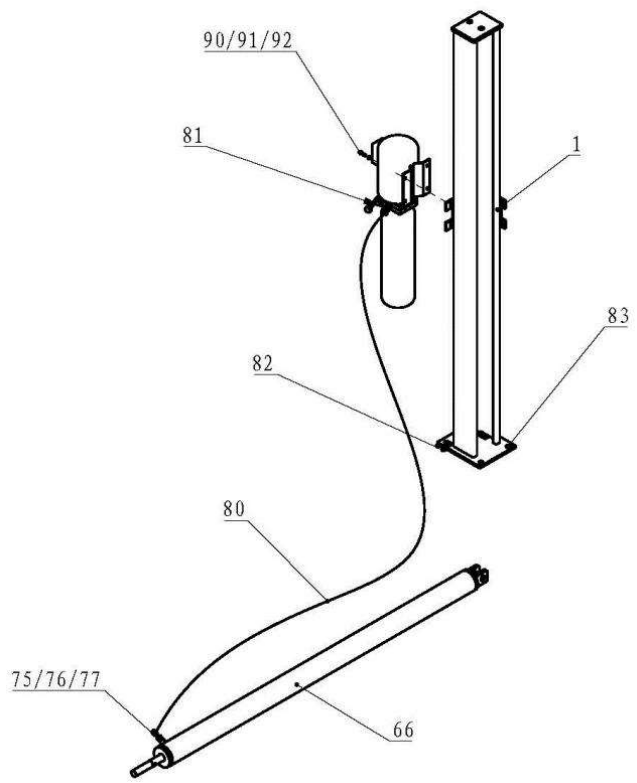


# Exploded Views (Structure)





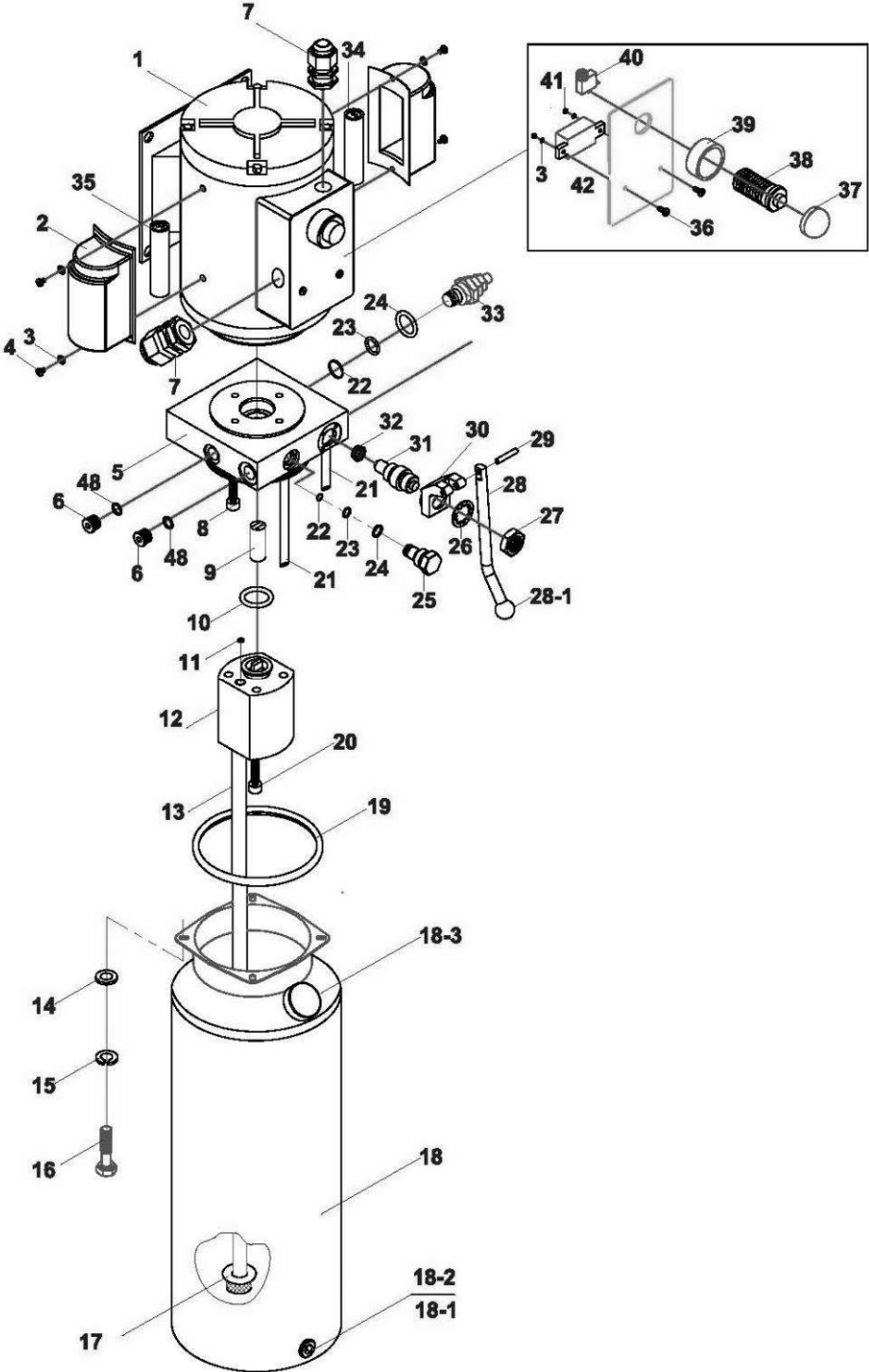


## Parts List (Structure)

ITEM	Tux P/N	M-REF P/N	DESCRIPTION	QTY
1	FP14KCX-001	TT-8861-200-00A-HJ	Main Post w/ PU Bracket	1
2	FP14KCX-002	TT-8861-200-00B-HJ	Sub Post	3
3	FP14KCX-003	TT-8861-100-00A-HJ	Crossbeam (Front)	1
4	FP14KCX-004	TT-8861-300-00A-HJ	Main Side Runway	1
5	FP14KCX-005	TT-8861-300-00B-HJ	Off Side Runway	1
6	FP14KCX-006	TT-8861-100-00B-HJ	Crossbeam (Rear)	1
7	FP14KCX-007	TT-8861-400-00-HJ	Ramp	2
7.1	FP14KCX-007.1	TT-8136J-500-01	Warning Strip Ramp	2
7.2	FP14KCX-007.2	GB818-2000 M6*12	Screw, M6 x 12mm	6
8	FP14KCX-008	TT-8861-300-10-01	Wheel Chock	2
9	FP14KCX-009	TT-8861-300-11	Wheel Stop (FP14KCX)	2
10	FP14KCX-010	GB/T5789-1986 M12X40	Flange Bolt, M12 x 40mm	4
11	FP14KCX-011	GB/T5789-1986 M12X30	Flange Bolt, M12 x 30mm	4
12	FP14KCX-012	TT-8861-300-10-02	Rubber Base	8
13	FP14KCX-013	GB95-1985 D5	Flat Washer, D5	16
14	FP14KCX-014	GB818-2000 M5x20	Screw, M5 x 20mm	16
15	FP14KCX-015	GB6170-2000 M5	Nut, M5	16
16	FP14KCX-016	TT-8861-400-02	Ramp Pivot Pin	2
17	FP14KCX-017	GB/T91-2000 5X40	Cotter Pin, 5mm x 40mm	4
18	FP14KCX-018	TT5D-400-02	Nylon Roller	4
19	FP14KCX-019	GB894.1-2000 D16	Circlip, D16	4
20	FP14KCX-020	GB6170-2000 M20	Nut, M20	8
21	FP14KCX-021	TT-8861-200-01-HJ	Latch Rack	4
22	FP14KCX-022	GB95-1985 D8	Flat Washer, D8	4
23	FP14KCX-023	GB70.1-2000 M8*12	Screw, M8 x 12mm	4
24	FP14KCX-024	TT-8861-100-01B-HJ	Slack Cable Latch (LH)	4
25	FP14KCX-025	TT-8861-100-01-05	Slack Cable Roller	4
26	FP14KCX-026	GB894.1 D10	Circlip, D10	4
27	FP14KCX-027	TT-8861-100-01-06	Spring	8
28	FP14KCX-028	TT-8861-100-01-07	Latch Pin	4
29	FP14KCX-029	TT-8861-100-01-08	Pulley Shaft (Crossbeam)	4
30	FP14KCX-030	TT-8861-100-01-09	Nylon Spacer	8
31	FP14KCX-031	TT-8861-100-01-10	Shaft Lock Plate (Crossbeam)	4
32	FP14KCX-032	TT-8861-100-01-11	Latch	4
33	FP14KCX-033	GB95-1985 D20	Flat Washer, D20	12
34	FP14KCX-034	TT-8861-100-01-12	Rubber Grommet (Crossbeam)	2
35	FP14KCX-035	GB/T91-2000 3.2X40	Cotter Pin, 3.2mm x 40mm	8
36	FP14KCX-036	GB5783-2000 M10X16	Bolt, M10 x 16mm	8
37	FP14KCX-037	GB93-1987 D10	Lock Washer, D10	8
38	FP14KCX-038	MTAL 16X50	Air Cylinder, 16mm x 50mm	4
39	FP14KCX-039	TT-8861-100-01-13	U-Bracket	4
40	FP14KCX-040	GB6170-2000 M6	Nut, M6	8
41	FP14KCX-041	GB889.1-2000 M6	Lock Nut, M6	4
42	FP14KCX-042	TT-8861-100-01-14	Pin	4
43	FP14KCX-043	GB/T91-2000 1.6X20	Split Pin, 1.6mm x 20mm	4
44	FP14KCX-044	GB5783-2000 M6X30	Bolt, M6 x 30mm	4
45	FP14KCX-045	GB95-1985 D6	Flat Washer, D6	4
46	FP14KCX-046	TT-8861-100-01-17	Slider	8
47	FP14KCX-047	TT-8861-100-01-16	Cable Pulley (Crossbeam)	4
48	FP14KCX-048	TT-8861-100-01-18	Plastic Crossbeam Cover	4

49	FP14KCX-049	GB819-2000 M8*12	Countersink Screw, M8 x 12mm	16
50	FP14KCX-050	TT-8861-100-01-15	Plastic Insert Screw	8
51	FP14KCX-051	M10X1.0	Grease Zerk, M10 x 1.0mm	6
52	FP14KCX-052	TT-8861-100-02-00	Cable Block Plate	4
53	FP14KCX-053	GB818-2000 M6*12	Screw, M6 x 12mm	4
54	FP14KCX-054	GB93-1985 D6	Lock Washer, D6	4
55	FP14KCX-055	SPL6-M5	Air Fitting 90 Connector	4
56	FP14KCX-056	SPY-6	Air Fitting T-Connector	2
57	FP14KCX-057		Air Tubing-1	2
58	FP14KCX-058		Air Tubing-2	1
59	FP14KCX-059	FB090 4020	Pulley Bushing	10
60	FP14KCX-060	TT-8861-300-01B	Short Pulley Shaft (Runway)	1
61	FP14KCX-061	TT-8861-300-01A	Long Pulley Shaft (Runway)	1
62	FP14KCX-062	TT-8861-300-02	Shaft Lock Plate (Runway)	2
63	FP14KCX-063	TT-8861-100-01-16	Cable Pulley (Runway)	6
64	FP14KCX-064	TT-8861-300-03	Nylon Washer	7
65	FP14KCX-065	TT-8861-300-04	Nylon Sleeve	1
66	FP14KCX-066	TT-8861-YG-ZP	Hydraulic Cylinder	1
67	FP14KCX-067	TT-8861-300-05	Cylinder Washer	2
68	FP14KCX-068	TT-8861-300-06	Cylinder Pin	1
69	FP14KCX-069	TT-8861-300-07-HJ	Cable Retainer Ring	1
69.1	FP14KCX-069.1	TT-8861-300-08	Shaft Lock Plate (Runway)	1
70	FP14KCX-070	GB6171-2000 M30X1.5	Nut, M30 x 1.5mm	2
71	FP14KCX-071	GB93-1987 D10	Lock Washer, D10	4
72	FP14KCX-072	GB70.2-2000 M10X25	Screw, M10 x 25mm	4
73	FP14KCX-073	TT-8861-300-09	Rubber Grommet (Runway)	2
74	FP14KCX-074	GB/T91-2000 5X40	Split Pin, 5mm x 40mm	1
75	FP14KCX-075	8045-401G	Cylinder Connector	1
76	FP14KCX-076	8045-400G	Throttle Valve	1
77	FP14KCX-077	D14	Combined Washer, D14	1
77.1	FP14KCX-077.1	TT-8861-300-15	Steel Cable-A (142.71")	1
77.2	FP14KCX-077.2	TT-8861-300-15	Steel Cable-C (350.78")	1
77.3	FP14KCX-077.3	TT-8861-300-15	Steel Cable-D (407.87")	1
77.4	FP14KCX-077.4	TT-8861-300-15	Steel Cable-B (200.19")	1
78	FP14KCX-078	GB6170-2000 M20	Hex Nut, M20	8
79	FP14KCX-079	GB95-1985 D20	Flat Washer, D20	4
80	FP14KCX-080	TT-8861-300-16	Hydraulic Hose (181")	1
81	FP14KCX-081	TPF4-500-05	90 Degree, Hydraulic PU Fitting	1
82	FP14KCX-082	TT-8861-500-01	Poly Anchor Shims	16
83	FP14KCX-083	19*140	Anchor Bolt (3/4" x 5.5")	16
84	FP14KCX-084	TT-8861-200-02	Power Unit / Control Bracket	1
84.1	FP14KCX-084.1	SPC6-02	Air Fitting (Straight)	1
84.2	FP14KCX-084.2	TT-8861-600-08A	Air Inlet Fitting, 1/4" Type D	1
84.3	FP14KCX-084.3	TT-8861-600-03	Bolt	1
84.4	FP14KCX-084.4	TT-8861-600-04	Nut	1
85	FP14KCX-085	S3PM-06 AIR TAC	Manual Air Valve	1
86	FP14KCX-086	SPC6-01	Direct Air Connector	2
87	FP14KCX-087		Corrugated Flex Tubing	1
88	FP14KCX-088	SPE-6	T-Air Connector	1
89	FP14KCX-089	Ø6 L=18.3	Air Tubing M6 x 18.3'	1
90	FP14KCX-090	GB5781-2000 M8*25	Bolt, M8 x 25mm	4
91	FP14KCX-091	GB/T 6177.1-2000 M8	Nut, M8	4
92	FP14KCX-092	GB95-1985 D8	Flat Washer, D8	4

# Exploded View (Power Unit) PU-220V-FP14KCX



## Parts List (Power Unit) PU-220V-FP14KCX

ITEM	Tux P/N	M-REF P/N	DESCRIPTION	QTY
1	PU-220V-FP14KCX-001	BZ02-05001-U00	Motor	1
2	PU-220V-FP14KCX-002	BZ01-05008-000	Capacitor Case	2
3	PU-220V-FP14KCX-003	5301-00004-000	Flat Washer, D4	4
4	PU-220V-FP14KCX-004	5110-04008-000	Screw, M4	4
5	PU-220V-FP14KCX-005	BZ01-04001-C00	Valve Block	1
6	PU-220V-FP14KCX-006	BZ01-04008-000	Cap Nut, 9/16"-18UNF	2
7	PU-220V-FP14KCX-007	BZ02-05006-U00	Cable Nut, 13.5mm	2
8	PU-220V-FP14KCX-008	5105-06055-000	Hex Socket Bolt, M6 x 55mm	4
9	PU-220V-FP14KCX-009	BZ14-00003-000	Pump Coupler, D18 x 46mm	1
10	PU-220V-FP14KCX-010	5901-00277-000	O-ring, D27.7 x 2.4mm	1
11	PU-220V-FP14KCX-011	5901-00925-000	O-ring, D9.25 x 1.78mm	1
12	PU-220V-FP14KCX-012	BZ01-03000-000	Gear Pump, 21Mpa	1
13	PU-220V-FP14KCX-013	BZ01-01001-E00	Suction Tube, D18 x 415mm	1
14	PU-220V-FP14KCX-014	5301-00006-000	Flat Washer, D6	4
15	PU-220V-FP14KCX-015	5303-00006-000	Lock Washer, D6	4
16	PU-220V-FP14KCX-016	5101-06010-000	Bolt, M6 x 10mm	4
17	PU-220V-FP14KCX-017	BZ01-01002-000	Mesh Filter (Suction Tube)	1
18	PU-220V-FP14KCX-018	BZ01-02100-E00	Steel Reservoir Tank, 12L	1
18-1	PU-220V-FP14KCX-018.1	BZ01-02101-E00	Combined Washer	1
18-2	PU-220V-FP14KCX-018.2	BZ01-02102-E00	Close Nut	1
18-3	PU-220V-FP14KCX-018.3	BZ01-02200-E00	Reservoir Fill Cap	1
19	PU-220V-FP14KCX-019	5901-01120-355	O-Ring, D112 x 3.55mm	1
20	PU-220V-FP14KCX-020	5105-08080-000	Hex Socket Bolt, M8 x 80mm	2
21	PU-220V-FP14KCX-021	BZ01-00001-100	Return Pipe, D18 x 370mm	1
22	PU-220V-FP14KCX-022	5901-00125-000	Circlip, 12mm x 1.5mm	1
23	PU-220V-FP14KCX-023	5901-00095-000	O-Ring, D9.5 x 1.8mm	1
24	PU-220V-FP14KCX-024	5901-00160-000	O-Ring, D16 x 2mm	1
25	PU-220V-FP14KCX-025	BZ20-04007-000	Check Valve	1
26	PU-220V-FP14KCX-026	5308-00018-000	Tooth Washer, D18	1
27	PU-220V-FP14KCX-027	BZ01-04006-000	Nut, 3/4-16 UNF	1
28	PU-220V-FP14KCX-028	BZ01-04202-000	Release Handle	1
28-1	PU-220V-FP14KCX-028.1	BZ01-04203-000	Handle Knob	1
29	PU-220V-FP14KCX-029	5402-05025-000	Pivot Pin, D5 x 25mm	1
30	PU-220V-FP14KCX-030	BZ01-04201-000	Release Handle Bracket	1
31	PU-220V-FP14KCX-031	BZ01-04000-000	Pressure Release Valve	1
32	PU-220V-FP14KCX-032	BZ01-04011-000	Mesh Filter (Release Valve)	1
33	PU-220V-FP14KCX-033	BZ20-04002-000	Over-Flow Relief Valve	1
34	PU-220V-FP14KCX-034	BZ01-05004-000	Start Capacitor	1
35	PU-220V-FP14KCX-035	BZ01-05005-000	Running Capacitor	1
36	PU-220V-FP14KCX-036	5110-04014-D00	Screw, M4 x 14mm	2
37	PU-220V-FP14KCX-037	BZ02-05302-U00	Rubber Cap	1
38	PU-220V-FP14KCX-038	BZ02-05305-U00	Switch Support	1
39	PU-220V-FP14KCX-039	BZ02-05303-U00	Plastic Ring	1
40	PU-220V-FP14KCX-040	BZ02-05301-U00	Start Micro Switch, 25A	1
41	PU-220V-FP14KCX-041	5206-00004-000	Lock Nut	2
42	PU-220V-FP14KCX-042	BZ02-05306-U00	Contactor	1