

# **DMCS-1000**

## **Deluxe Motorcycle Center Stand**



### **ASSEMBLY & OPERATION**

### **INSTRUCTION MANUAL**

## **Product Description:**

The Deluxe Motorcycle Center Stand is designed to lift most motorcycles that have a double-cradle type frame with a flat surface on the underside. This includes most all Harley Davidson, Suzuki, Honda, Yamaha, and Kawasaki motorcycles. The Deluxe Center Stand incorporates adjustable heights for the ability to raise the front or rear wheel off the ground for various types of motorcycles.

## **Product Features:**

- Designed to lift either the front or rear wheel
- Adjustable height feature with 5ea height options of 9-¼” to 13-¼” with easy to use Ring Clips
- Able to relocate the handle assembly to either the RH or LH side with ‘duel’ hinge design
- Handle extension designed to be removed once the bike is on the stand, eliminating tripping hazard
- Collapsible pivot handle assembly for convenient flat storage
- 3/16” thick protective vinyl tubing prevents scratching motorcycle frame
- Constructed from heavy duty 14 gauge, 1 ½” round tubing
- Powder coated finish
- Cushion handle grip
- Works great for cleaning your wheels or servicing your bike
- Ideal for storing your bike

## **Basic Specifications:**

- Weight Capacity: 1,000 lbs. (lowest height) to 400 lbs. (tallest height)
- Product Size: 26”W x 14”L w/ Handle Extension removed
- Adjustable Heights: 9-1/4”, 10-1/4”, 11-1/4”, 12-1/4” & 13-1/4”
- Package Size: 27-1/4”L x 12”W x 4-3/4”H
- Package Weight: 21 lbs.

## Assembly Instructions:

1. Determine the preferred side, Right Side or Left Side (typical) to attach the Pivot Handle to the Center Stand Base, using the Pivot Pin and Split Pin. **NOTE:** Pivot Handle may already be mounted to one side.
2. Once the Pivot Handle is mounted, attach the Handle Extension to Pivot Handle. Ensure the inner tube on Handle Extension is fully inserted into Pivot Handle's outer tubing.
3. Secure Handle Extension to the Pivot Handle using the Knob Screw. Ensure to securely tighten.

## Operation Instructions:

### Lifting One Wheel

1. Locate motorcycle on a level, smooth surface area, suitable for lifting one wheel of motorcycle.
2. Adjust the Center Stand Top to the desired height, in order to lift the motorcycle wheel (front or back) to no more than 3" to 5" off the ground. Use Ring Clips to secure Stand Top to the desired height position.
3. Place Center Stand in upright position (Handle facing up) on either the Left or Right side of the motorcycle, based on the location of the Handle Assembly. **NOTE:** Typically, it's more common to position Stand on the same side (Left side) as the motorcycle's side-stand.

4. With motorcycle resting on side-stand, stand to the side and face motorcycle. Place left hand on motorcycle's handlebar grip and the right hand on the Center Stand Handle.

5. Slide Center Stand under the motorcycle, being mindful to center the Stand to the motorcycle frame.

**NOTE:** Biasing the Center Stand towards the front or rear of motorcycle frame, will determine lifting the front or rear wheel, based on the center of gravity.

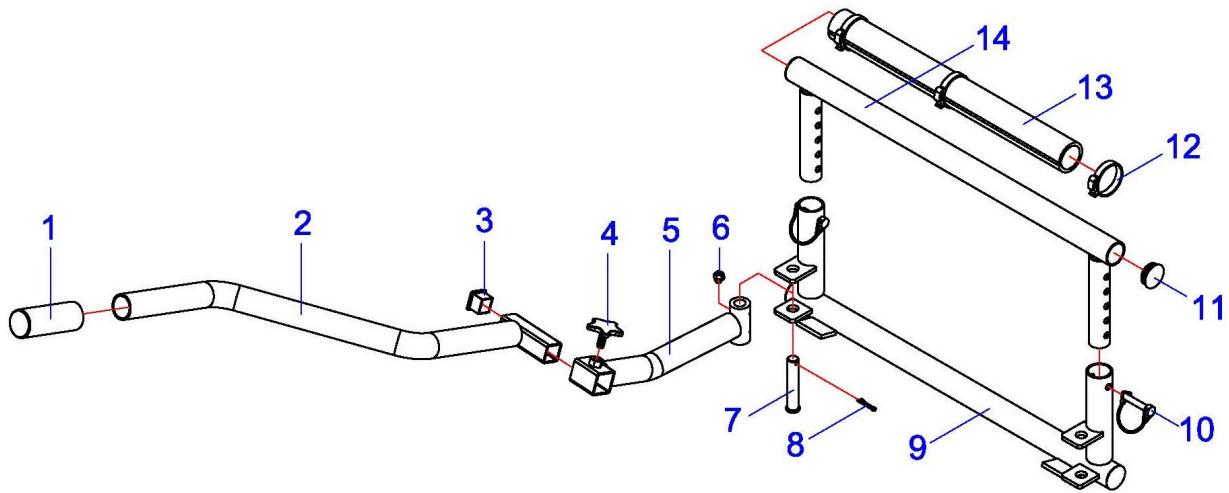
6. While holding the motorcycle in the upright position, carefully apply downward pressure to the Center Stand's Handle until the Stand rotates to contact the motorcycle frame. **CAUTION: Ensure the Center Stand will clear any obstructions, such as exhaust pipes, etc.**
7. Continue to apply downward pressure to rotate Center Stand until the motorcycle's wheel begins to rise. Ensure to keep Center Stand Handle assembly at a 90 degree position to Center Stand while lifting.
8. Continue to apply downward pressure to fully rotate Center Stand Handle all the way to the ground.
9. With motorcycle safely positioned on Center Stand, remove Handle Extension by loosening up Knob Screw. **CAUTION: Ensure the Pivot Handle maintains 90 degree position to Center Stand at all times.**

### Lowering & Removing Stand:

**CAUTION: Ensure motorcycle's side-stand is lowered into position!!**

1. If removed, attach Handle Extension to Center Stand and tighten Knob Screw to secure. Ensure Handle assembly is 90 degree position to Center Stand and motorcycle side-stand is lowered.
2. Hold motorcycle handlebar grip with left hand and the Center Stand with right hand and slowly and carefully lift up on Center Stand Handle assembly, until motorcycle fully lowers to rest on side-stand.
3. Remove Center Stand from under motorcycle.

## Exploded View / Parts List:



ITEM	PART #	DESCRIPTION	QTY
1	MS01-00003-000	Handle Sleeve	1
2	MS01-02000-000	Handle Extension	1
3	MS01-00004-000	Square cap	1
4	MS01-00005-000	Knob Screw	1
5	MS01-03000-000	Pivot Handle	1
6	5102-08008-000	Bolt	2
7	MS01-00002-000	Pivot Shaft	1
8	5404-04030-000	Split Pin	1
9	MS01-05000-000	Stand Base	1
10	MS01-01000-000	Ring Clip	2
11	MS01-00006-000	Round Cap	4
12	MS01-00007-000	Clamp	3
13	MS01-00001-000	Vinyl Cover	1
14	MS01-04000-000	Stand Top	1

## TUXEDO DISTRIBUTORS LIMITED WARRANTY

### **Structural Warranty:**

The following parts and structural components carry a five year warranty:

Columns	Arms	Uprights	Swivel Pins
Legs	Carriages	Overhead Beam	
Tracks	Cross Rails	Top Rail Beam	

### **Limited One-Year Warranty:**

Tuxedo Distributors, LLC ("Tuxedo") offers a limited one-year warranty to the original purchaser of Tuxedo Lifts and Wheel Service in the United States and Canada. Tuxedo will replace, without charge, any part found defective in materials or workmanship under normal use, for a period of one year after purchase. The purchaser is responsible for all shipping charges. This warranty does not apply to equipment that has been improperly installed or altered or that has not been operated or maintained according to specifications.

### **Other Limitations:**

This warranty does not cover:

1. Parts needed for normal maintenance
2. Wear parts, including but not limited to cables, slider blocks, chains, rubber pads and pulleys
3. Replacement of lift and tire changer cylinders after the first 30 days. A seal kit and installation instructions will be sent for repairs thereafter.
4. On-site labor

Upon receipt, the customer must visually inspect the equipment for any potential freight damage before signing clear on the shipping receipt. Freight damage is not considered a warranty issue and therefore must be noted for any potential recovery with the shipping company.

The customer is required to notify Tuxedo of any missing parts within 72 hours. Timely notification must be received to be covered under warranty.

Tuxedo will replace any defective part under warranty at no charge as soon as such parts become available from the manufacturer. No guarantee is given as to the immediate availability of replacement parts.

Tuxedo reserves the right to make improvements and/or design changes to its lifts without any obligation to previously sold, assembled or fabricated equipment.

There is no other express warranty on the Tuxedo lifts and this warranty is exclusive of and in lieu of all other warranties, expressed or implied, including all warranties of merchantability and fitness for a particular purpose.

To the fullest extent allowed by law, Tuxedo shall not be liable for loss of use, cost of cover, lost profits, inconvenience, lost time, commercial loss or other incidental or consequential damages.

This Limited Warranty is granted to the original purchaser only and is not transferable or assignable.

Some states do not allow exclusion or limitation of consequential damages or how long an implied warranty lasts, so the above limitations and exclusions may not apply. This warranty gives you specific legal rights and you may have other rights, which may vary from state to state.

1905 N Main St Suite C, Cleburne, TX 76033  
Ph 817-558-9337 Fax 817-558-9740