

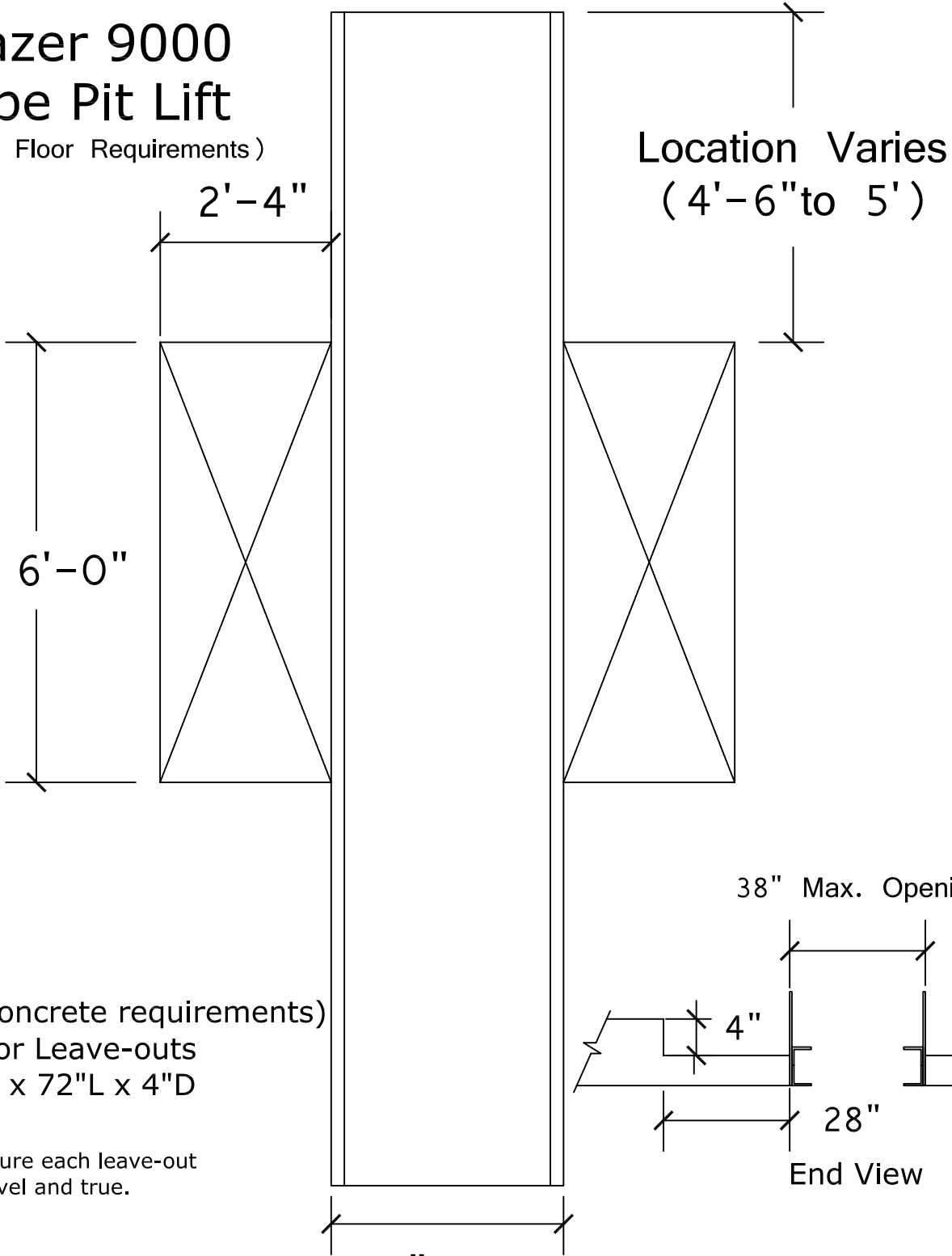


Exit



Blazer 9000 Lube Pit Lift

(Recess Floor Requirements)



(recess concrete requirements)

2-Floor Leave-outs
28"W x 72"L x 4"D

Note:

Be sure each leave-out
is level and true.

38" Max

Entrance

38" Max. Opening

4"

28"

End View